

**NOTE:**

Floor Joist - 38 x 140

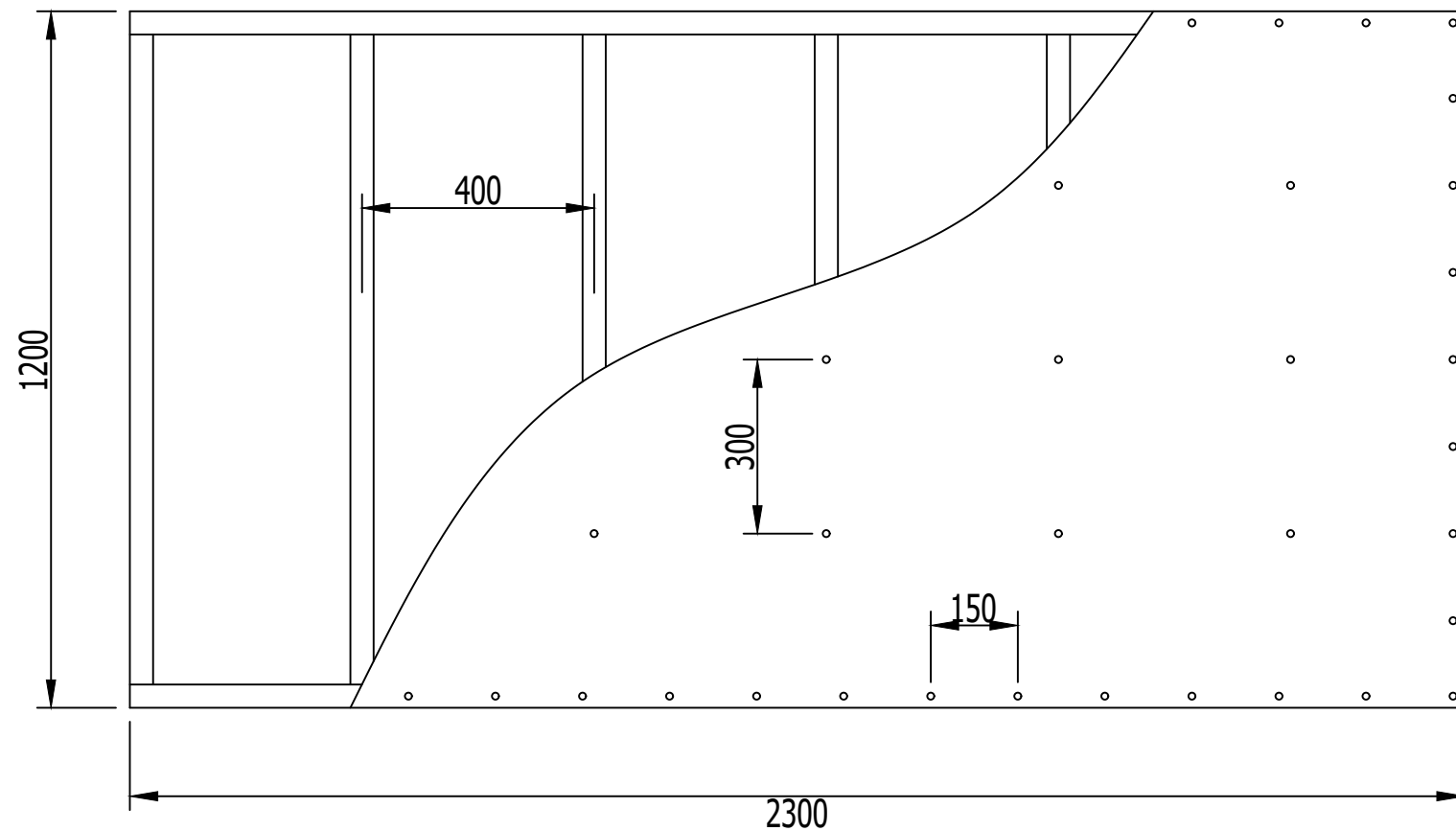
Joists Spaced @ 400mm OC

Floor Sheathing - 15.5 mm Spruce

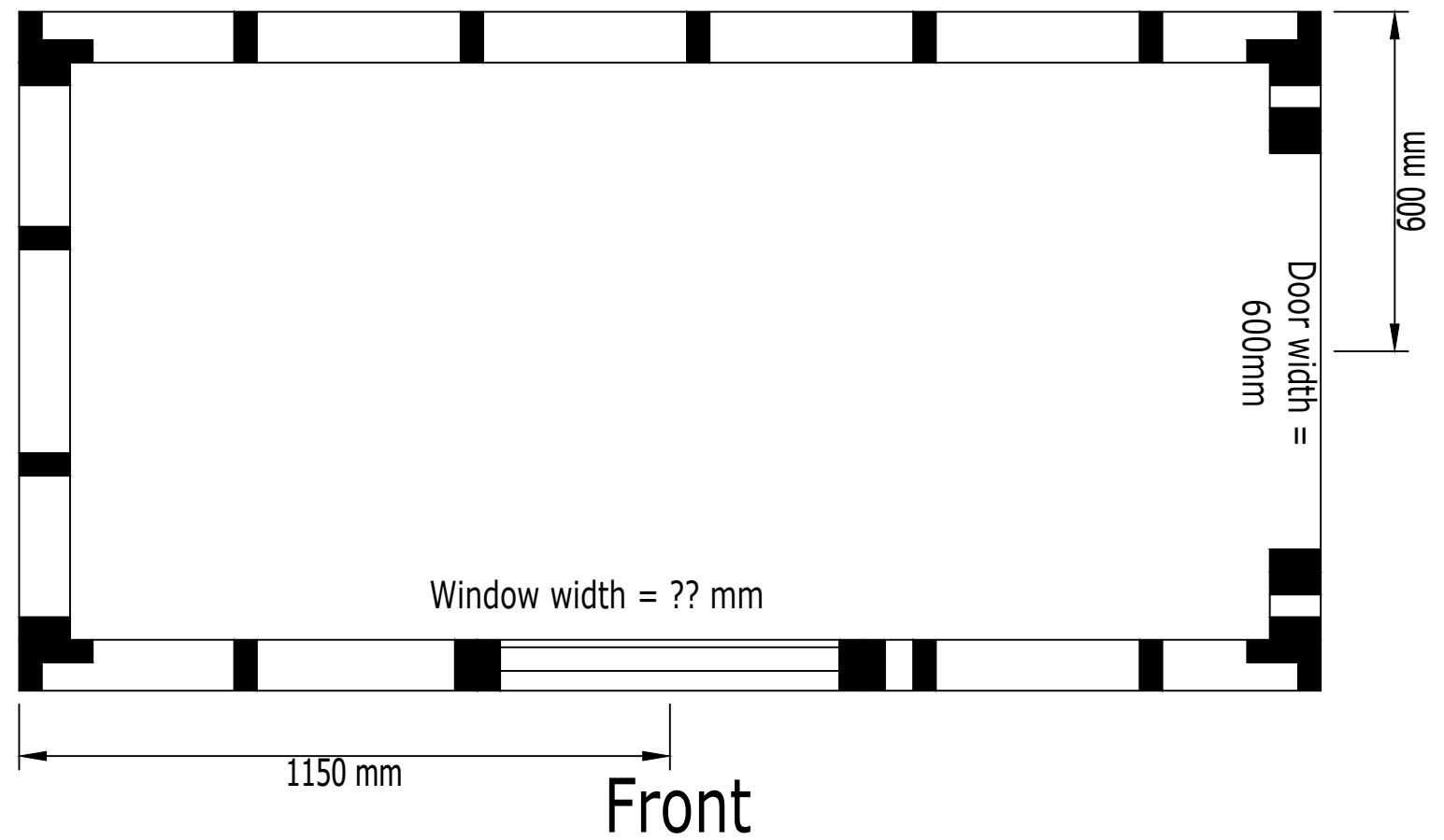
Sheathing nailed or screwed in accordance with the NATIONAL BUILDING CODE (NBC)

Center maximum 300mm OC

Edges maximum 150mm OC



Left



**NOTE:**

Wall Studs - 38 x 89

Stud Spaced @ 400mm OC

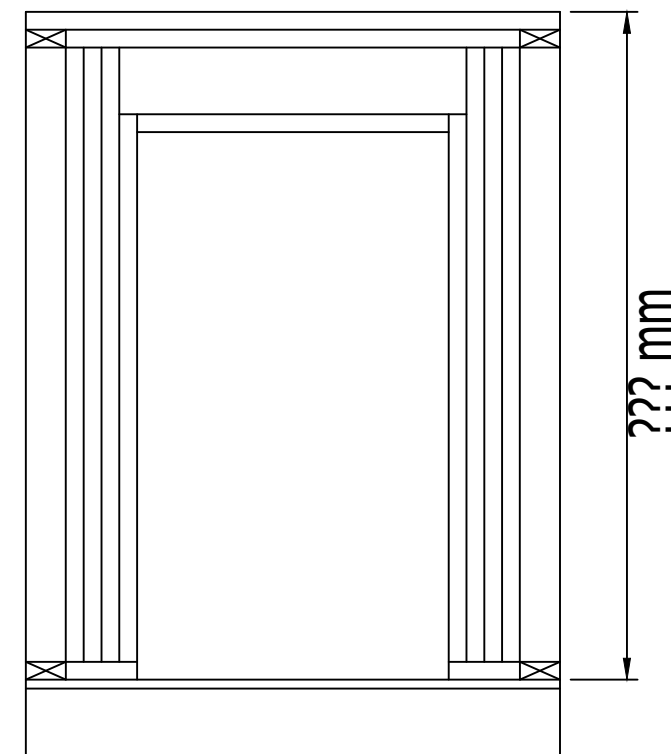
2 Ply Lintel - 38 x 140 Framed to top plate

Door width- 600mm

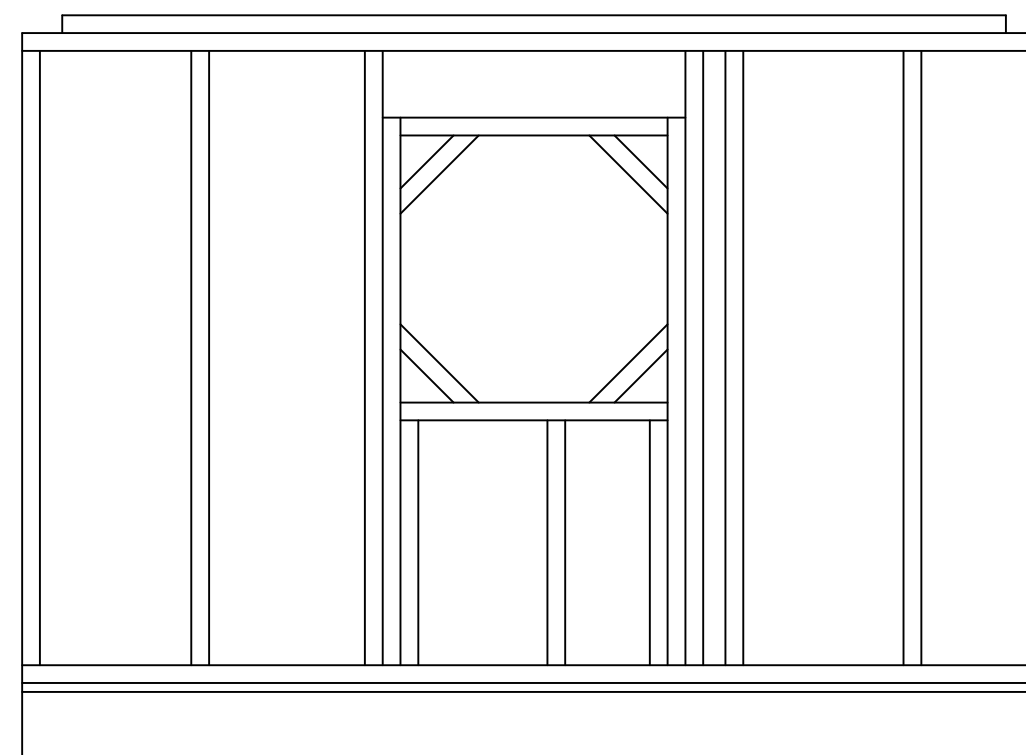
Window width - ?? mm

All sides of the Octagon are equal

Fasteners must comply with NBC



Right



Front

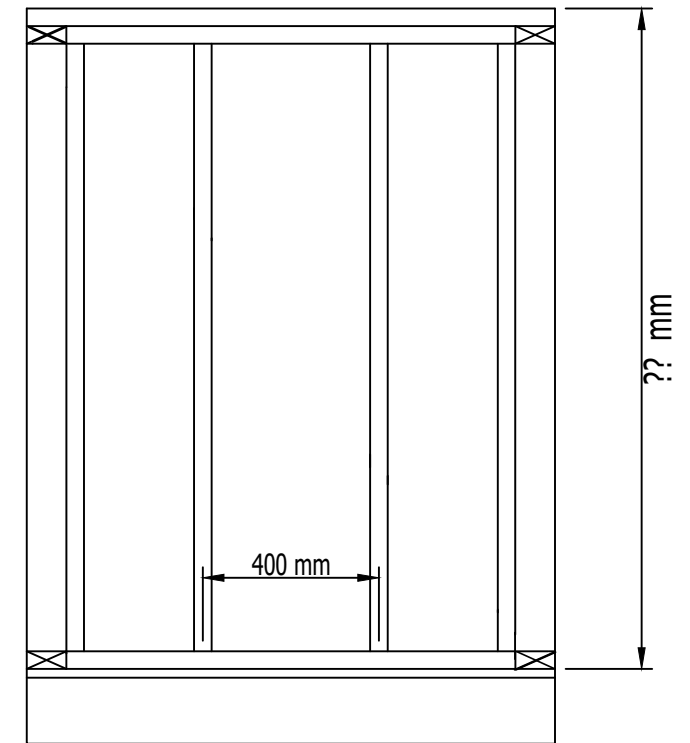
**NOTE:**

Wall Studs - 38 x 89 Stud

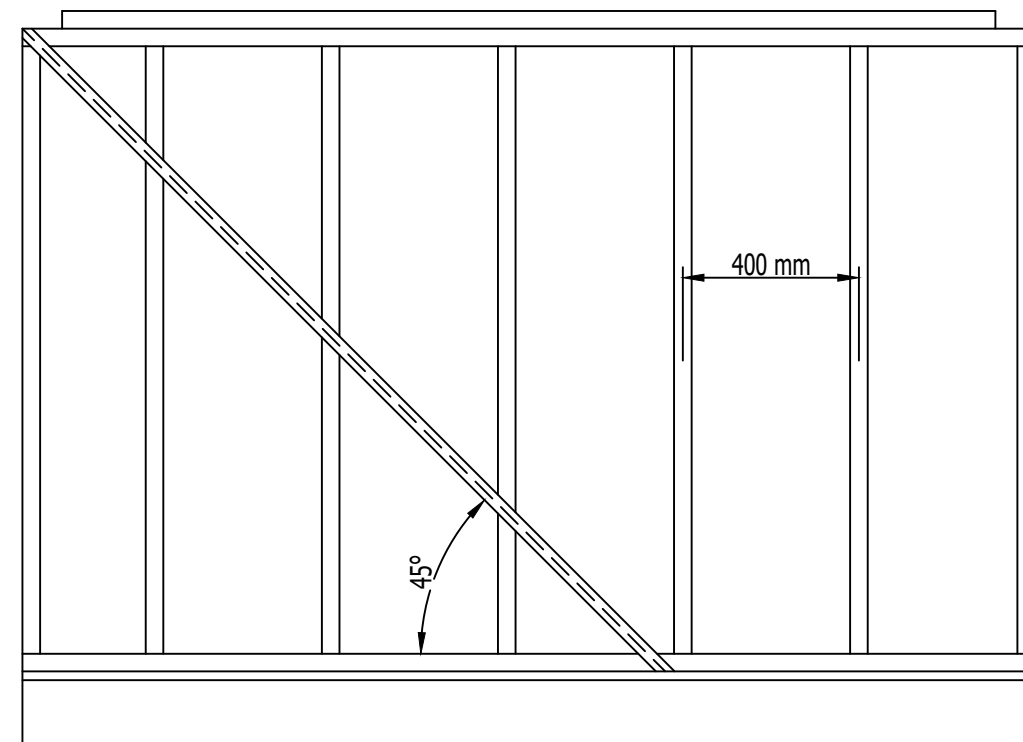
Spaced @ 400mm OC 2

Ply Lintel - 38 x 140

Fasteners must comply with NBC



Left



Back

NOTE:

Slope ?:?

Rafter Spacing - 400mm OC

Projection - 150mm

HAP - 77 mm

Ridge Board - 38 x 140 Common

Rafters - 38 x 89

Rake Rafters - 38 x 140

Fasteners must comply with NBC

