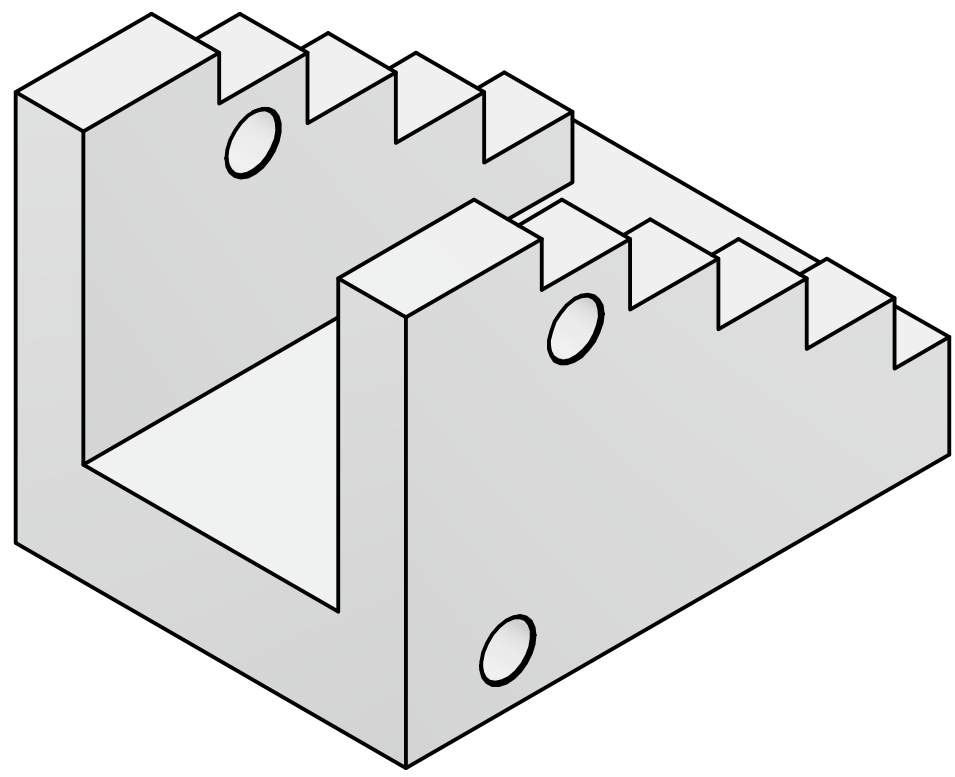
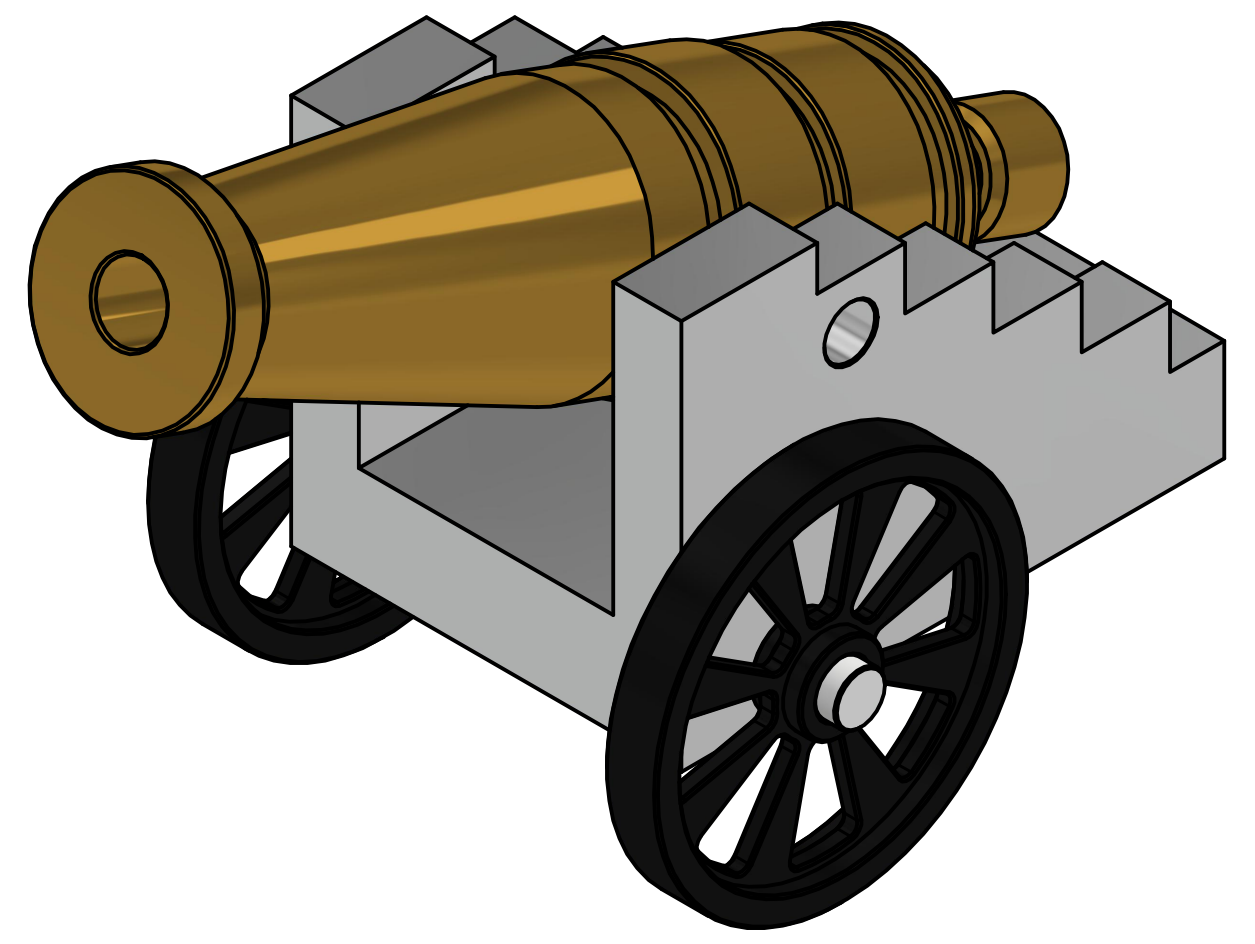


Lathe Part



Mill Part

Unless otherwise specified Units = Inchs	
X.X	± .05
X.XX	± .01
X.XXX	± .005
ANGLE	± .5°

TITLE Cannon		DRAWN BY	
	DWG #		APPROVED BY
	MATERIAL	SCALE	SHEET 1 of 1