

8 7 6 5 4 3 2 1

D

D

C

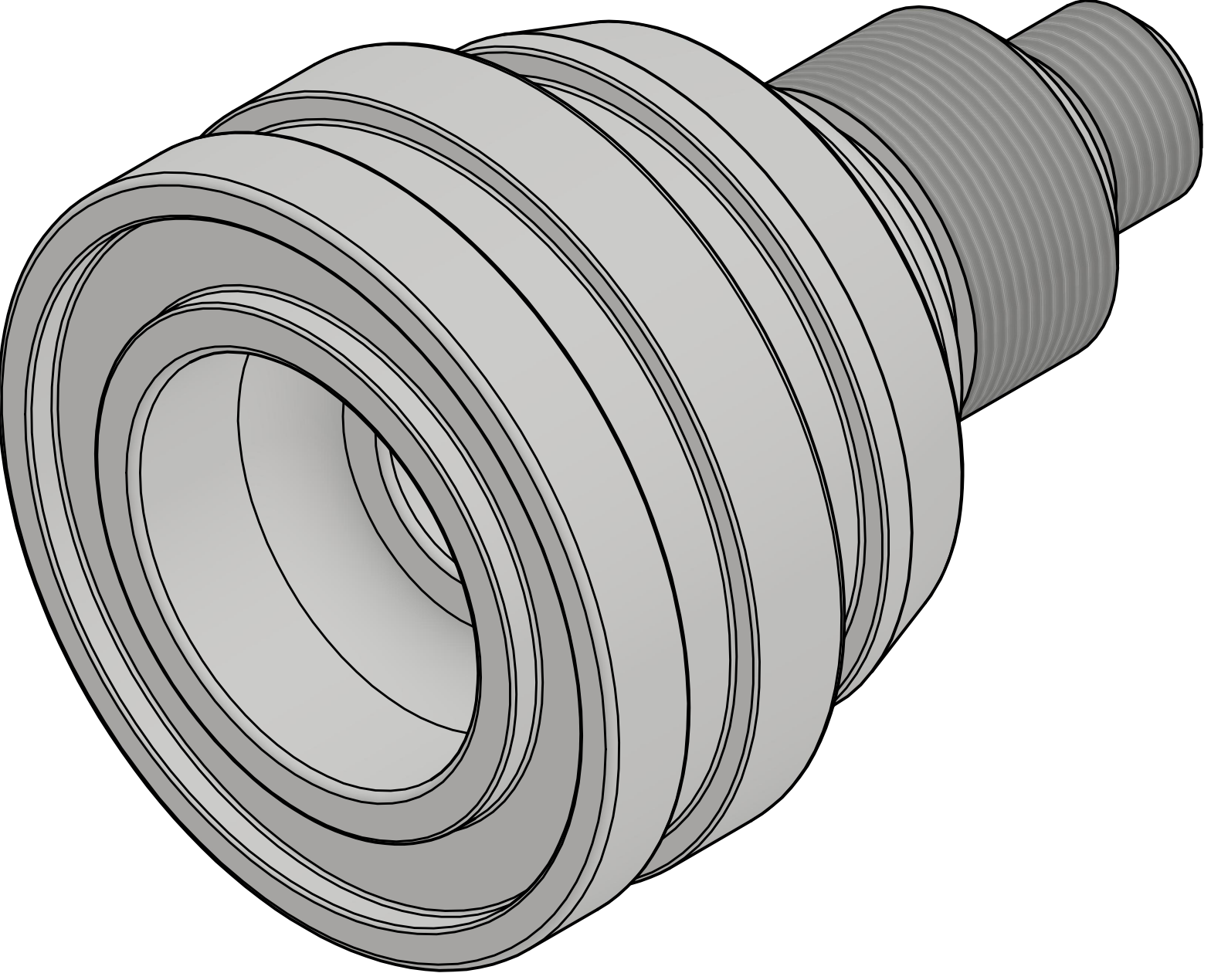
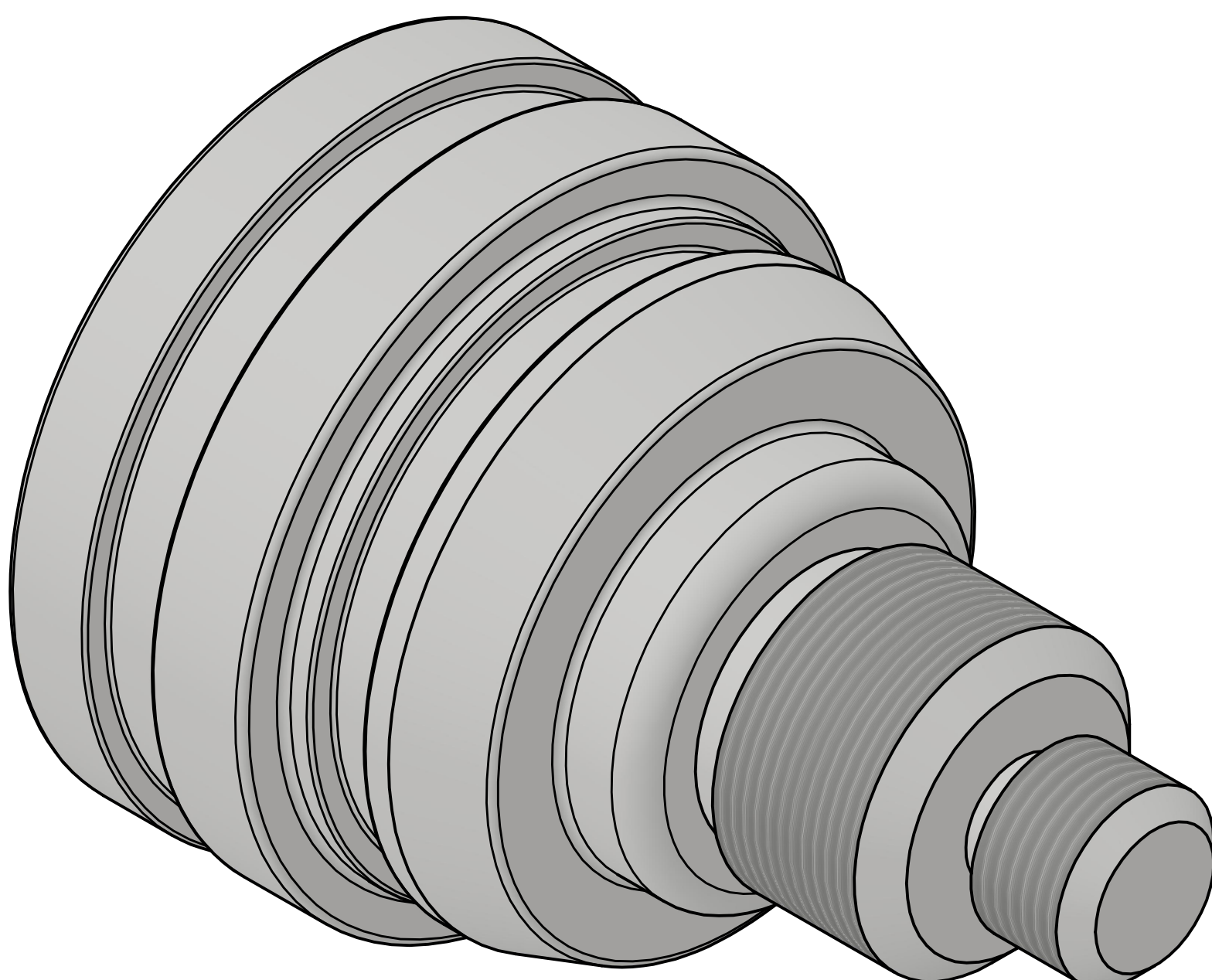
C

B

B

A

A



DRAWN	w0029086	2020-01-22		
CHECKED			TITLE	
QA			CNC Skills 2025 Lathe Project	
MFG				
APPROVED				
			SIZE	DWG NO
			D	2024 CNC Skills lathe project no dim
			SCALE	SHEET 1 OF 1
			2 : 1	

8 7 6 5 4 4 3 2 1

8 7 6 5 4 3 2 1

D

D

C

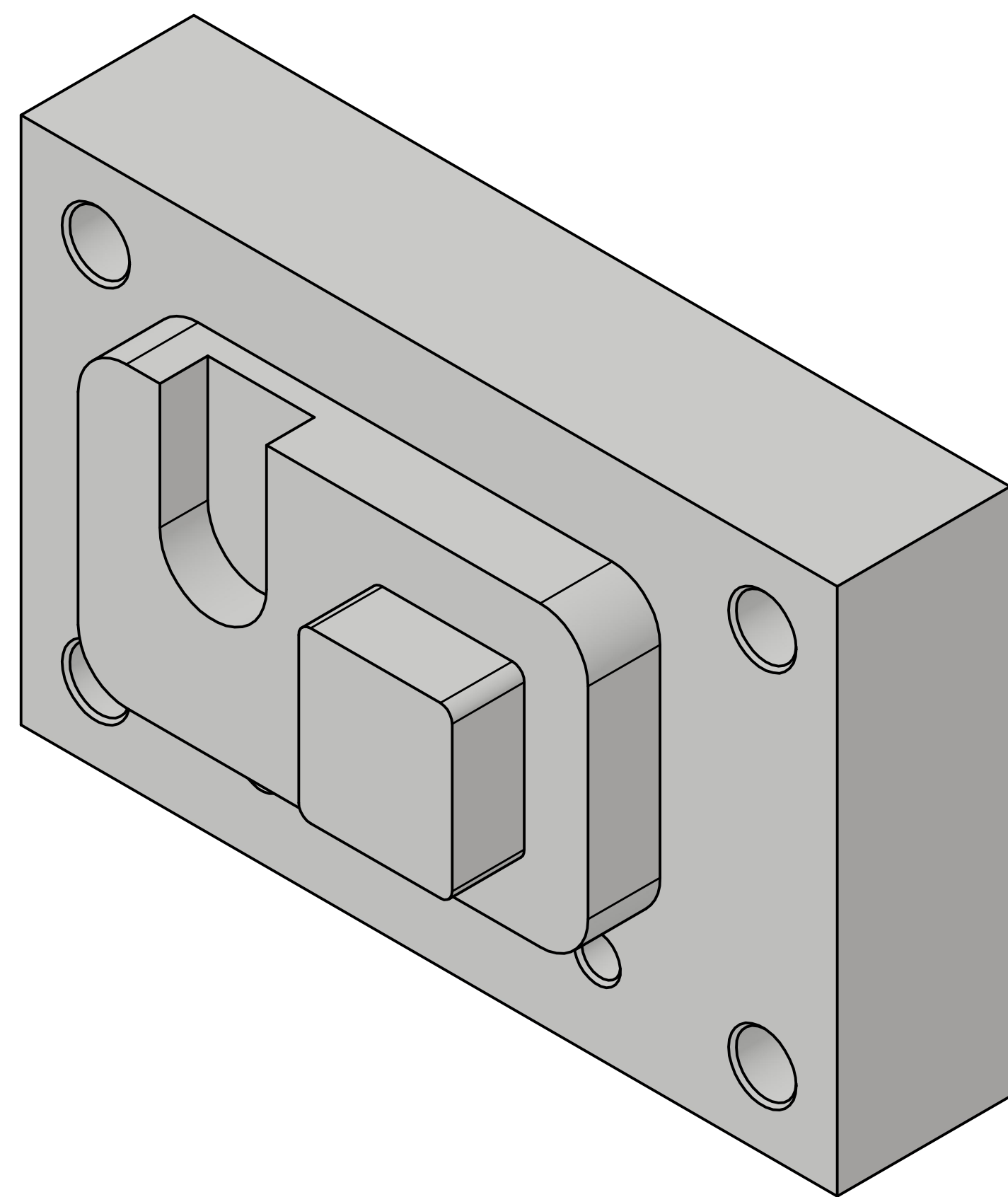
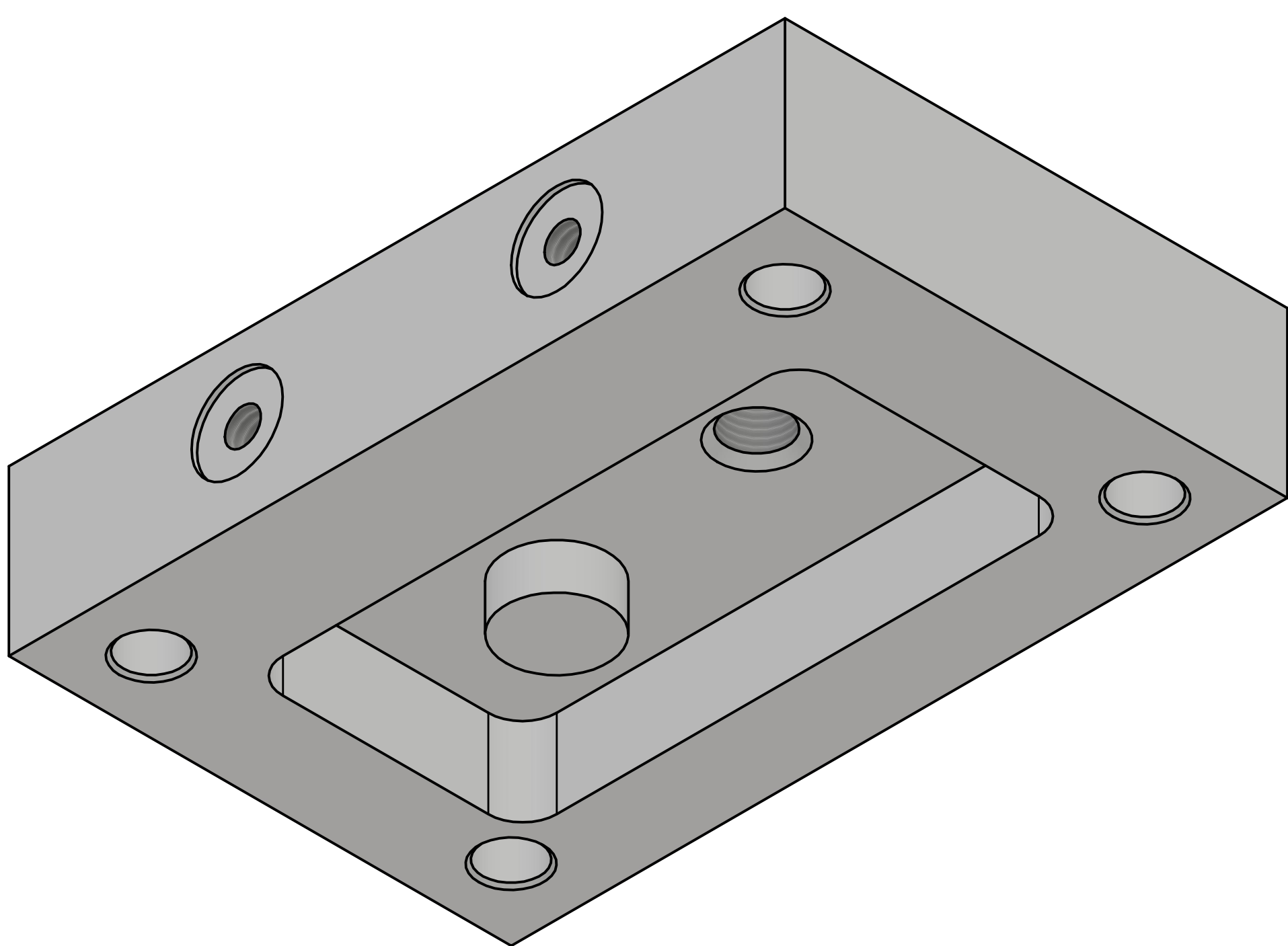
C

B

B

A

A



DRAWN	w0029086	2020-01-23		
CHECKED			TITLE	
QA			CNC Skills 2025 Mill Project	
MFG				
APPROVED				
			SIZE	DWG NO
			D	2024 CNC Skills mill project no
			SCALE	REV
			2 : 1	1
				SHEET 1 OF 1

8 7 6 5 4 4 3 2 1