

NOTE:

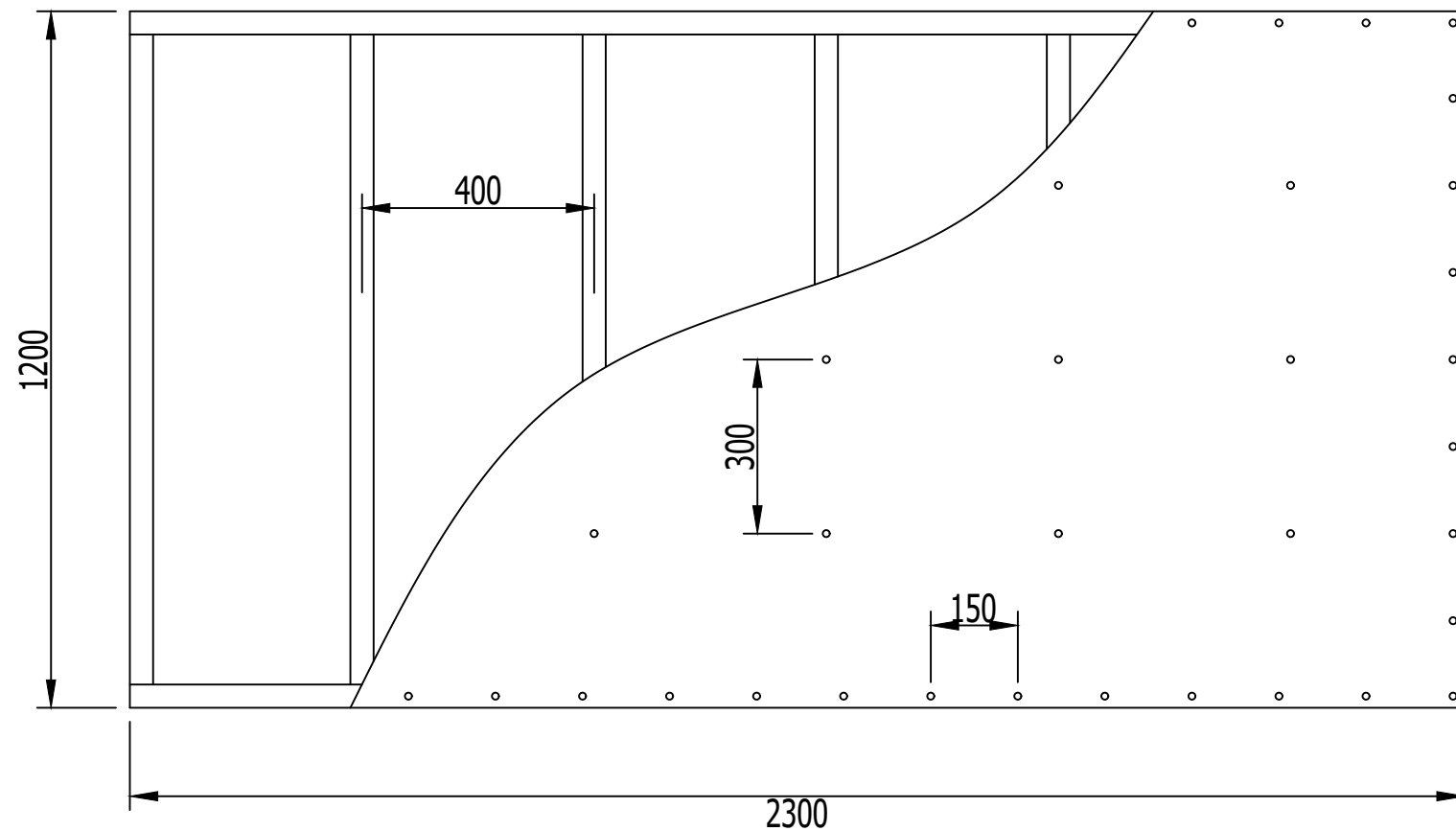
Floor Joist - 38 x 140

Joists Spaced @ 400mm OC

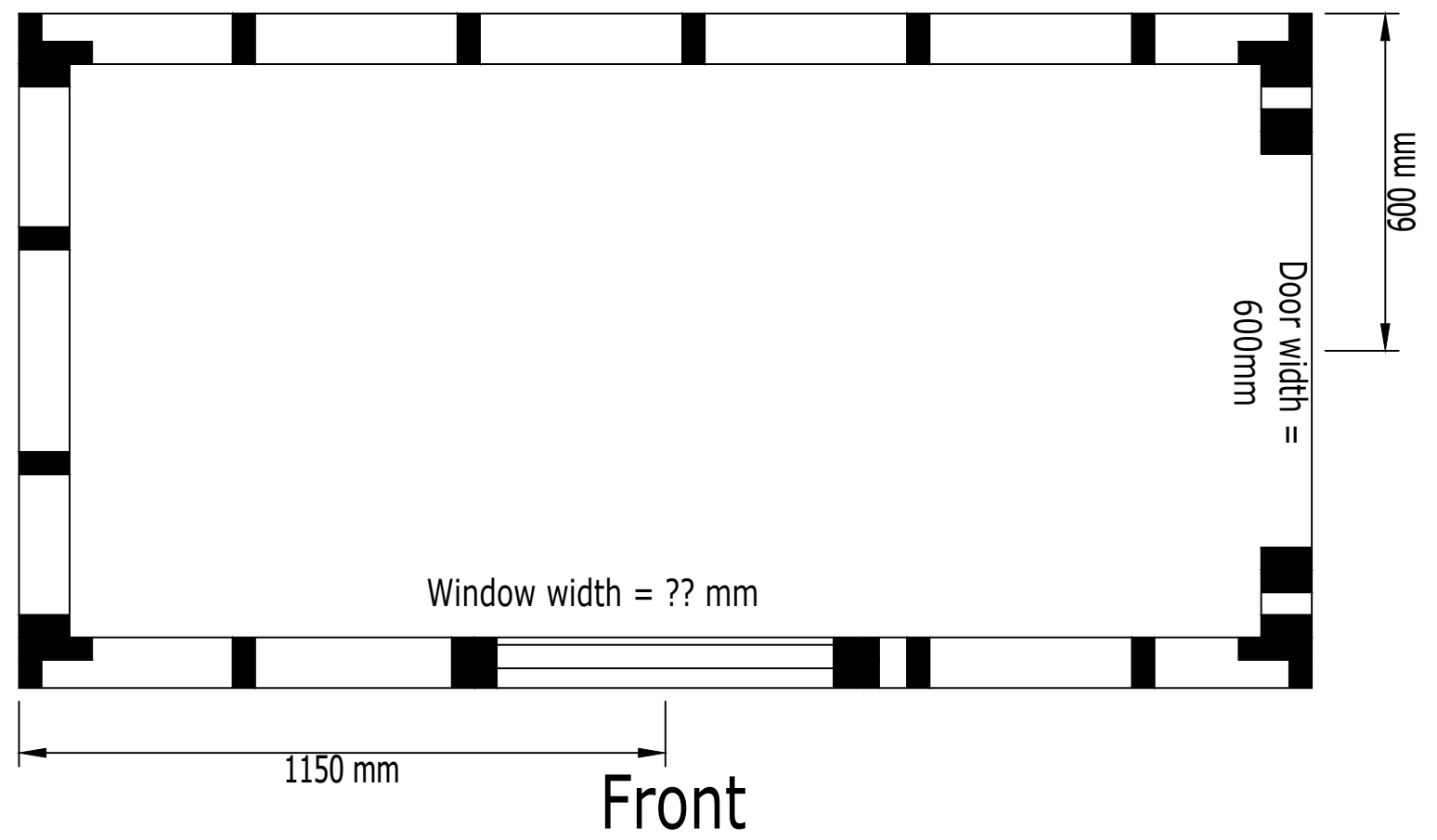
Floor Sheathing - 15.5 mm Spruce

Sheathing nailed - Center maximum 300mm OC

Edges maximum 150mm OC



Left



NOTE:

Wall Studs - 38 x 89

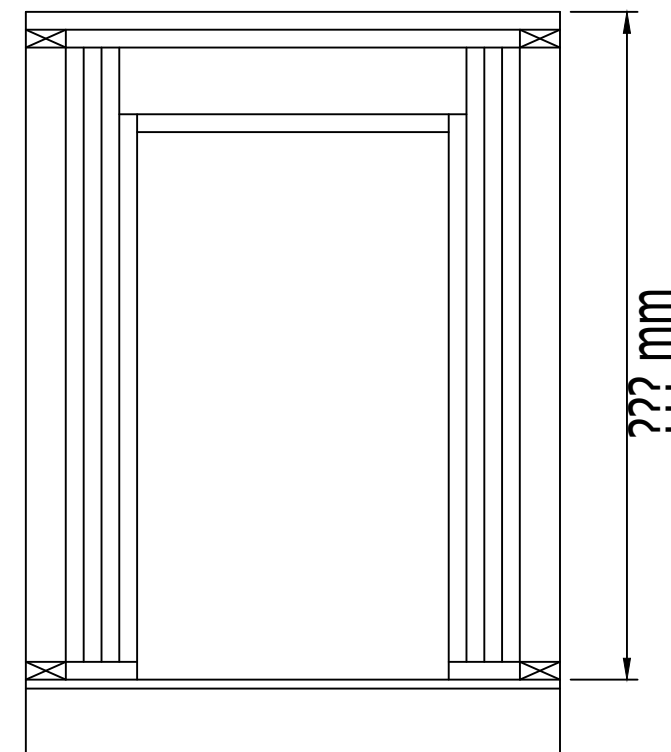
Stud Spaced @ 400mm OC

2 Ply Lintel - 38 x 140 Framed to top plate

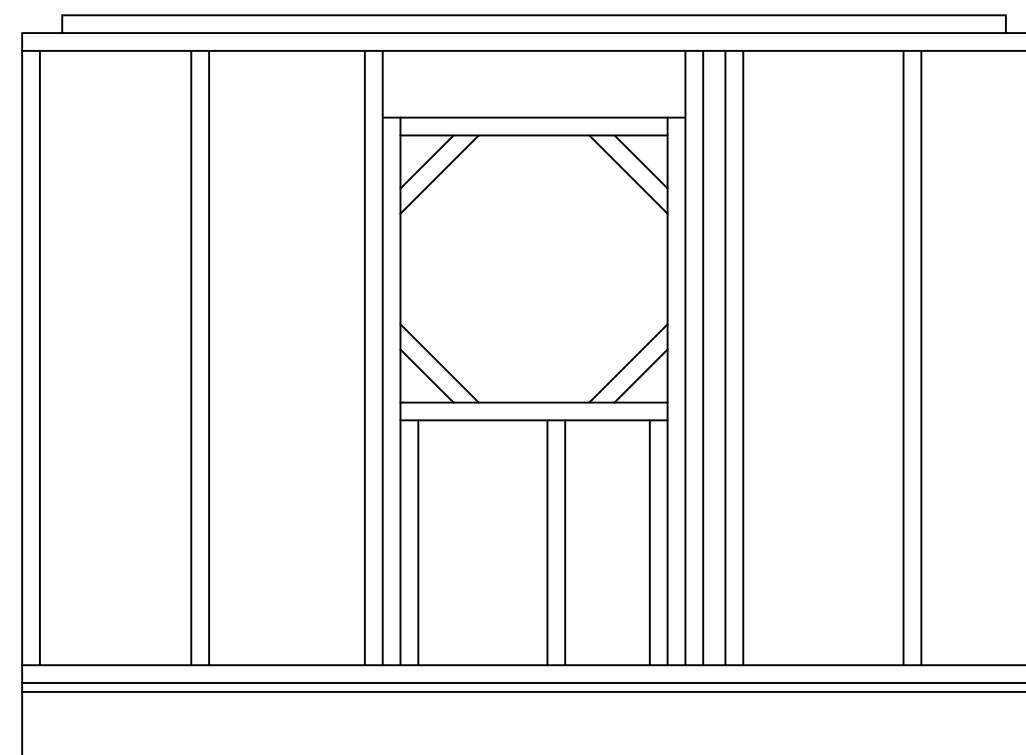
Door width- 600mm

Window width - ?? mm

All sides of the Octagon are equal



Right



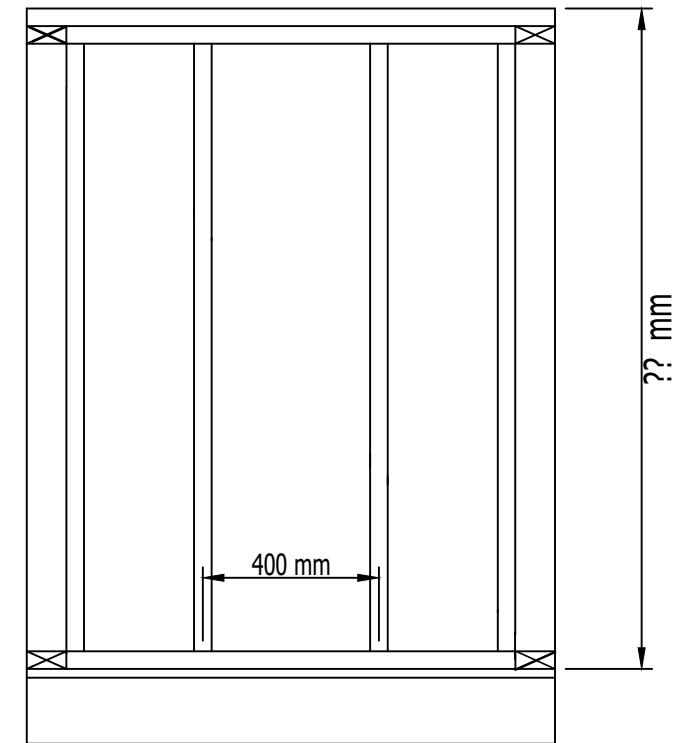
Front

NOTE:

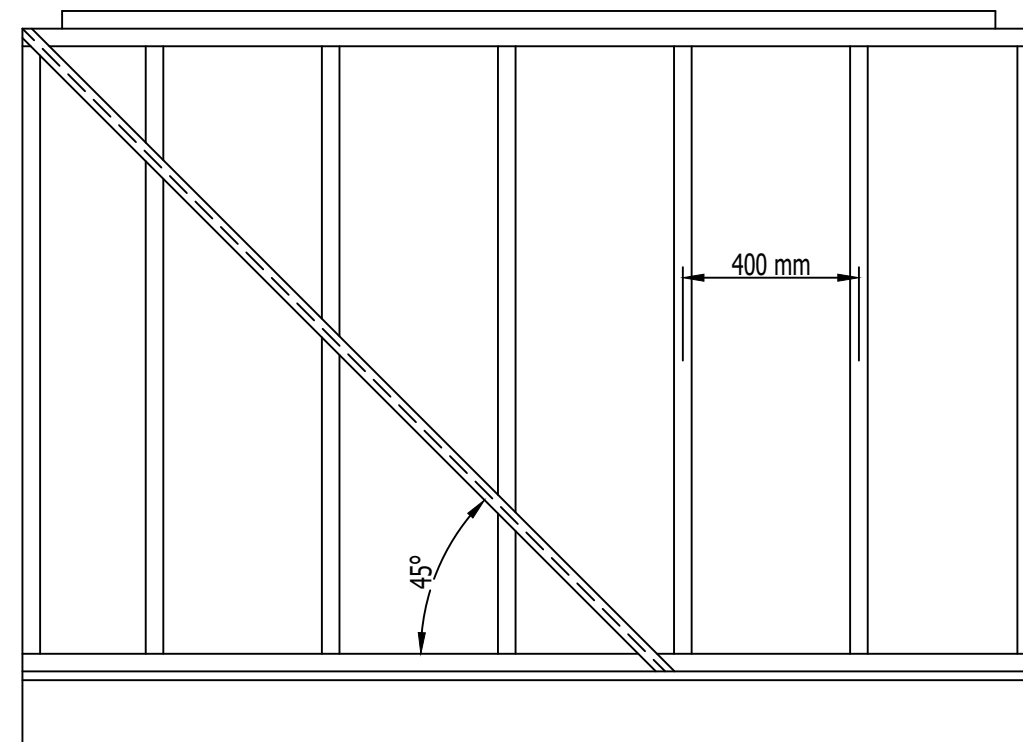
Wall Studs - 38 x 89

Stud Spaced @ 400mm OC

2 Ply Lintel - 38 x 140



Left



Back

NOTE:

Slope ?:?

Rafter Spacing - 400mm OC

Projection - 150mm

HAP - 77 mm

Ridge Board - 38 x 140

Common Rafters - 38 x 89

Rake Rafters - 38 x 140

