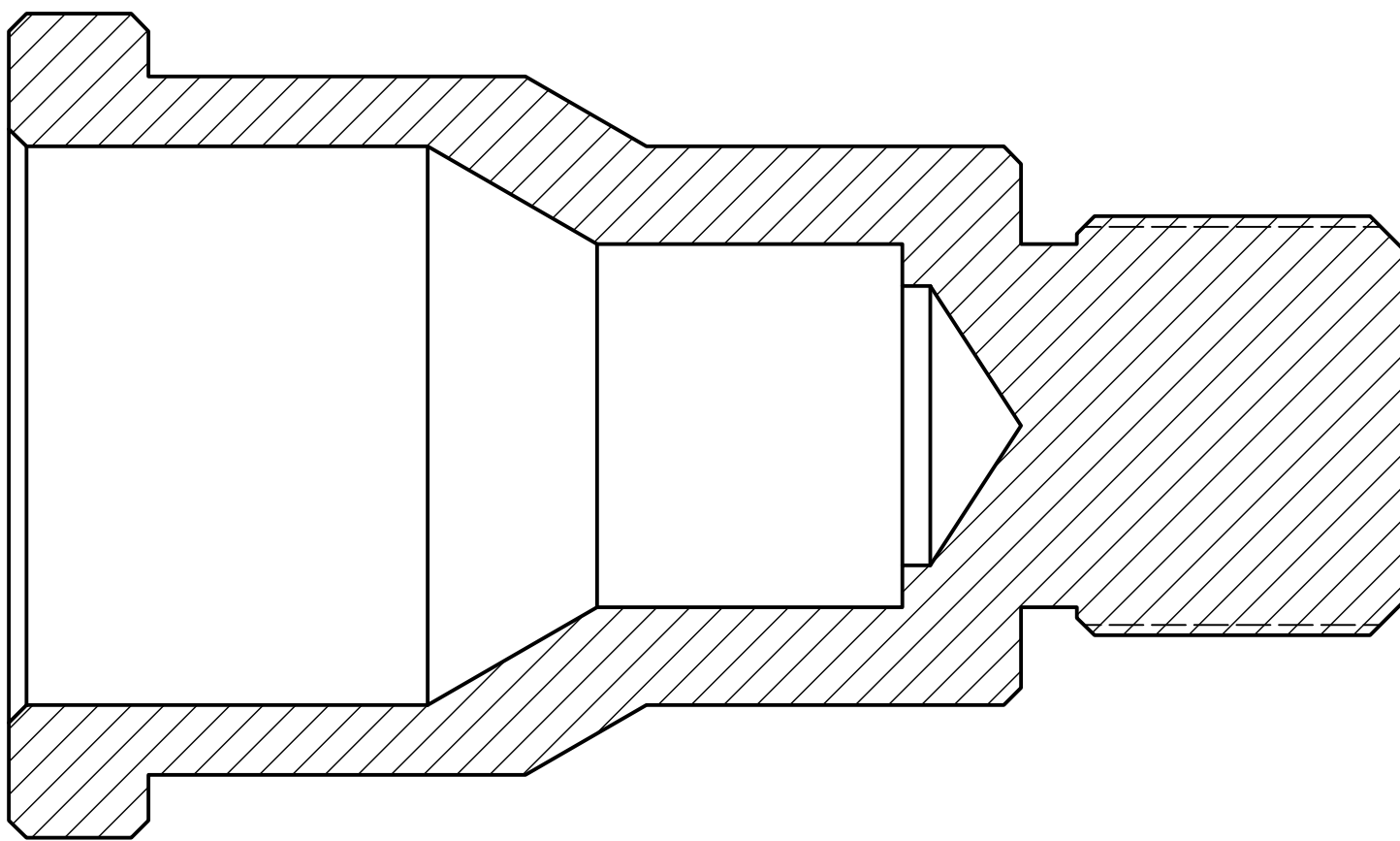
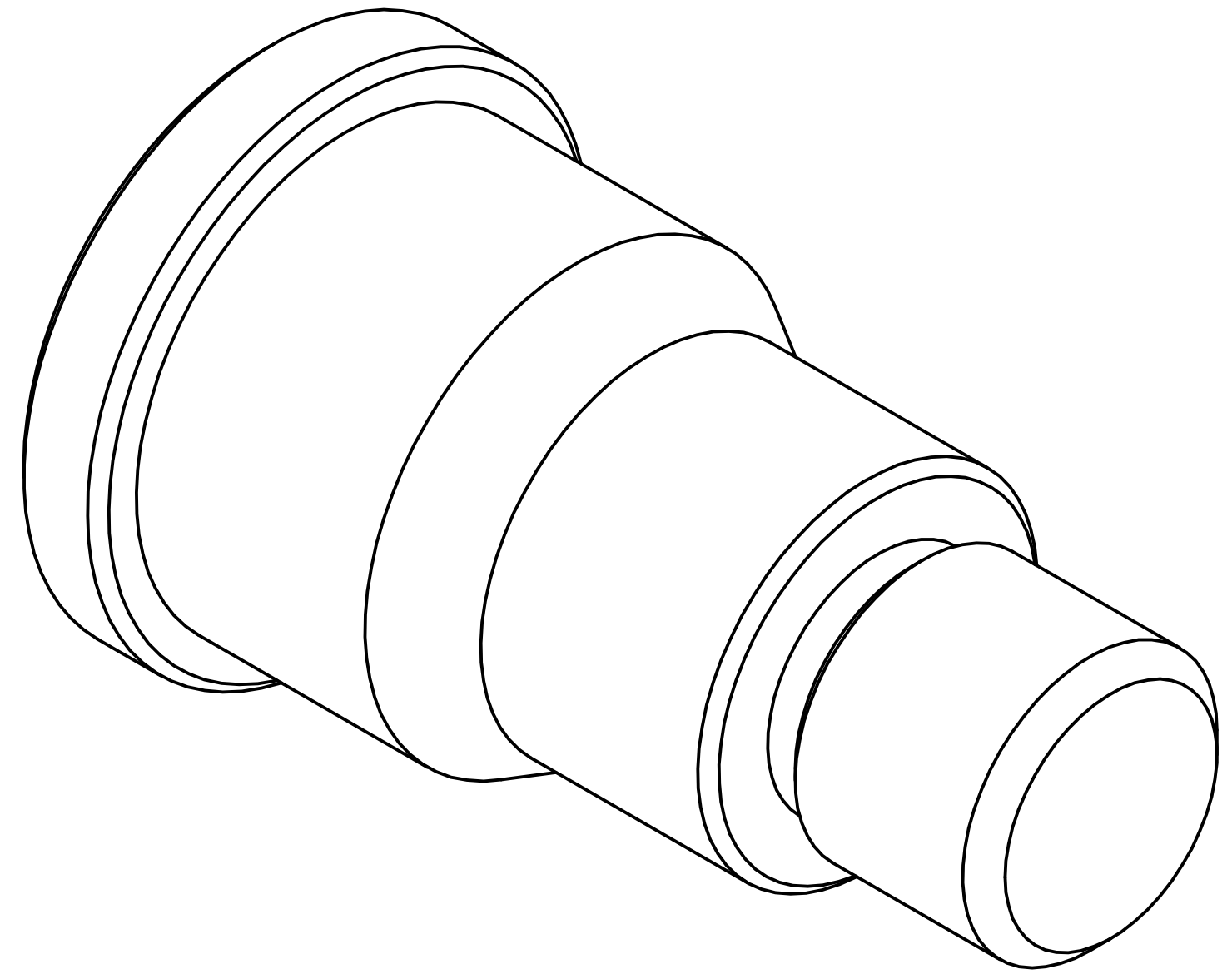
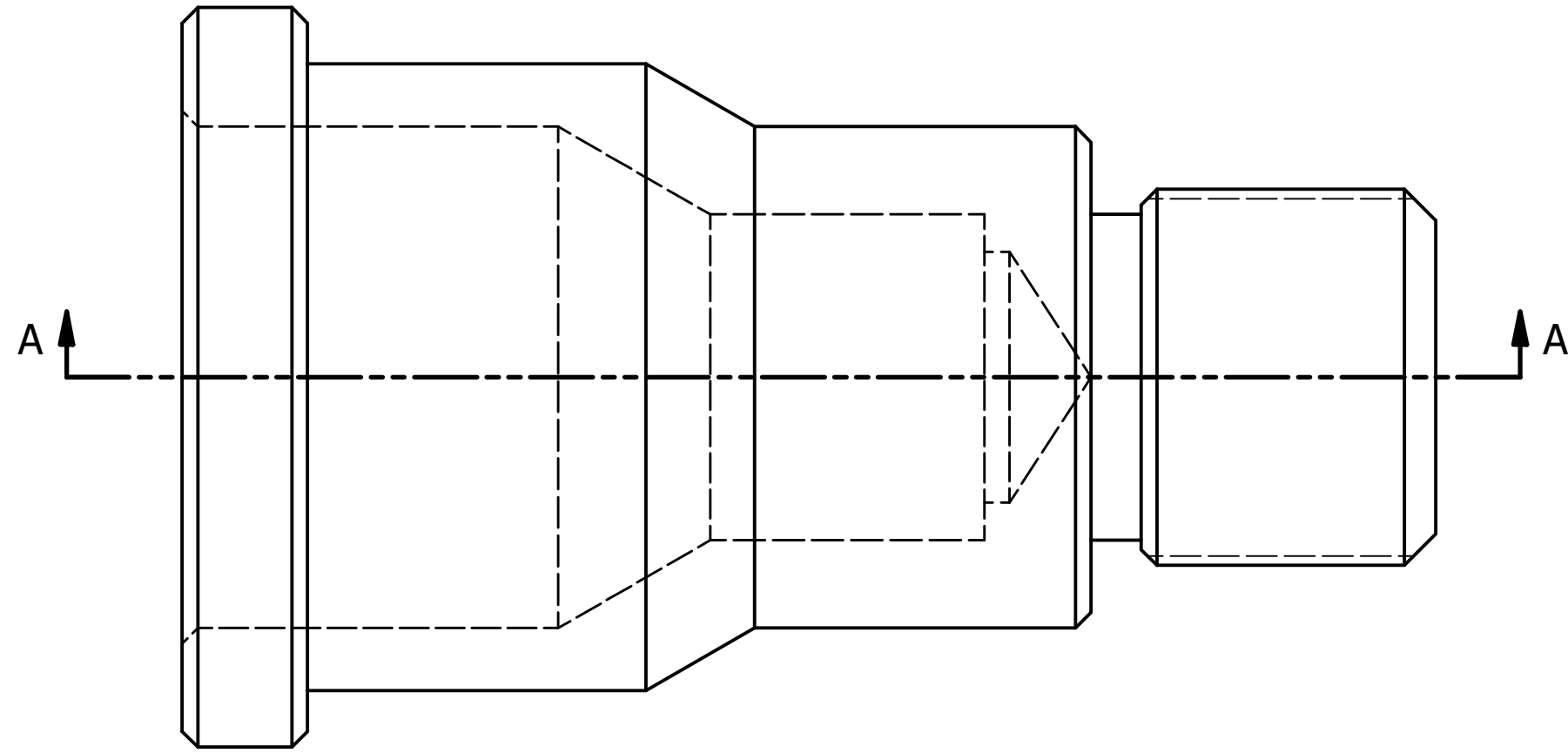


**NOTES:**

- 1. Material 6061-T6 Aluminum
- 2. Remove all sharp edges



SECTION A-A  
SCALE 1.5:1

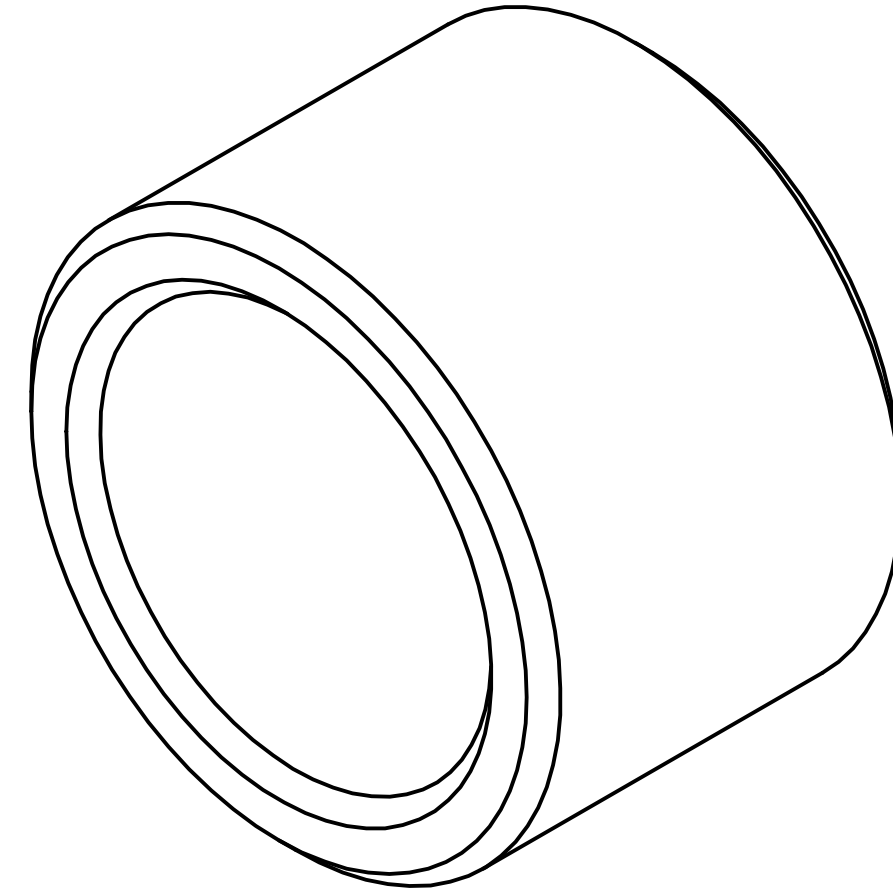
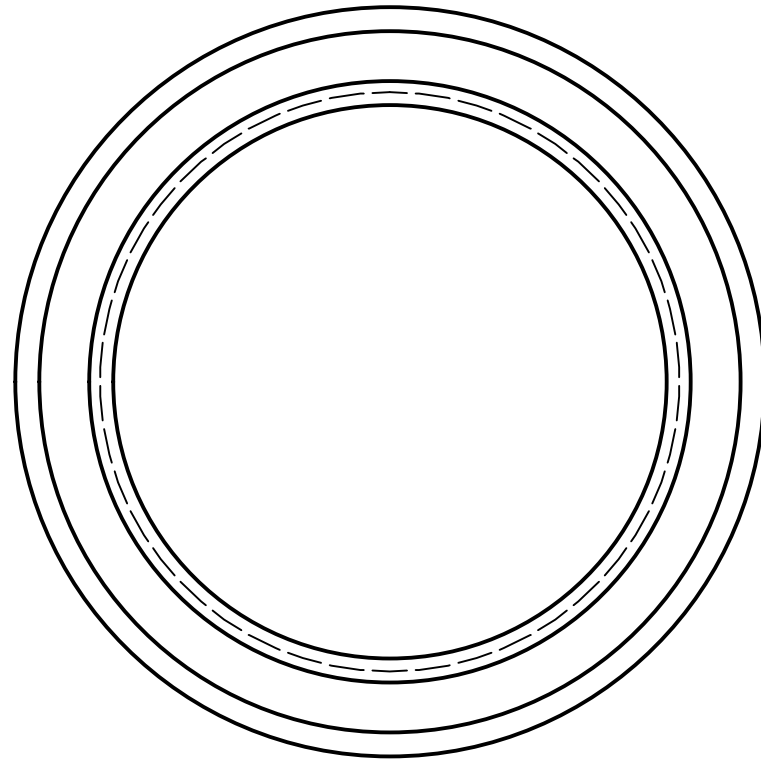
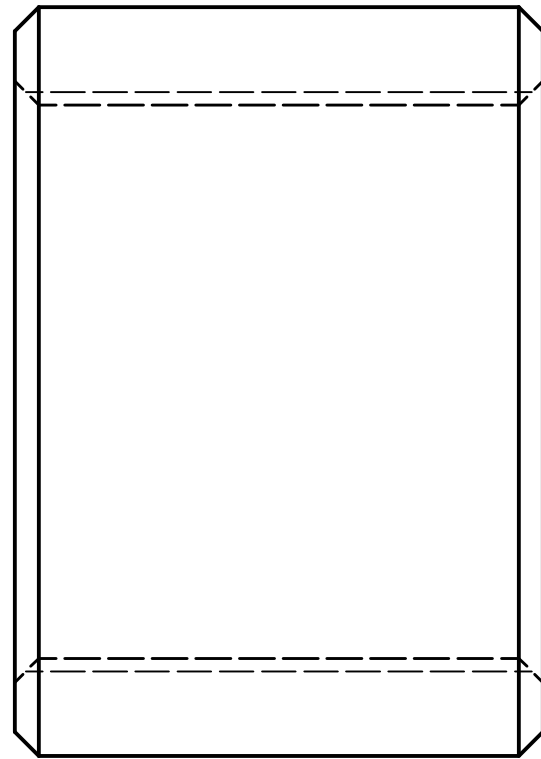
unless otherwise specified  
dimensions in inches

- Angles +/-0.5°
- 2 PL +/-0.01"
- 3 PL +/-0.005"

DRAWN zchai	2021-03-31	TITLE		
CHECKED		Skills 2021 Lathe 1		
QA				
MFG				
APPROVED		SIZE C	DWG NO lathe part #1 no dimensions	REV
		SCALE 1.5:1	SHEET 3 OF 3	

**NOTES:**

- 1. Material 6061-T6 Aluminum
- 2. Remove all sharp edges



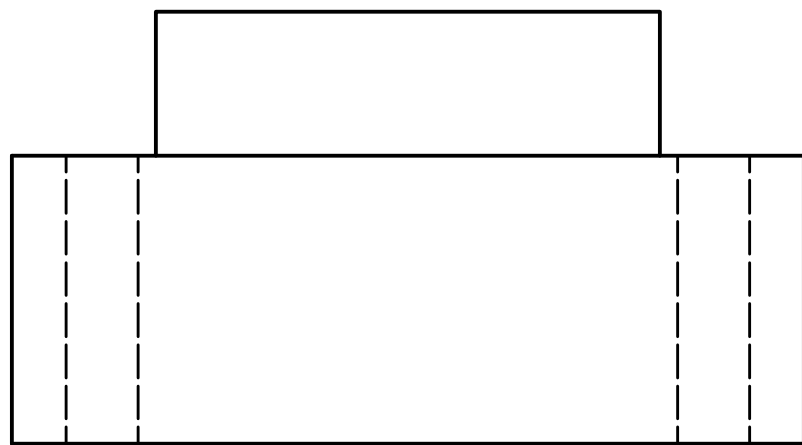
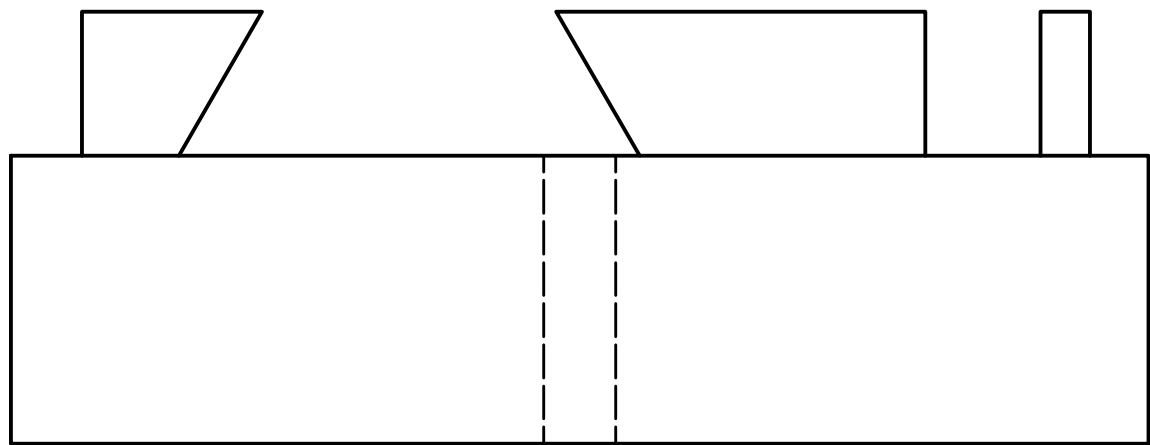
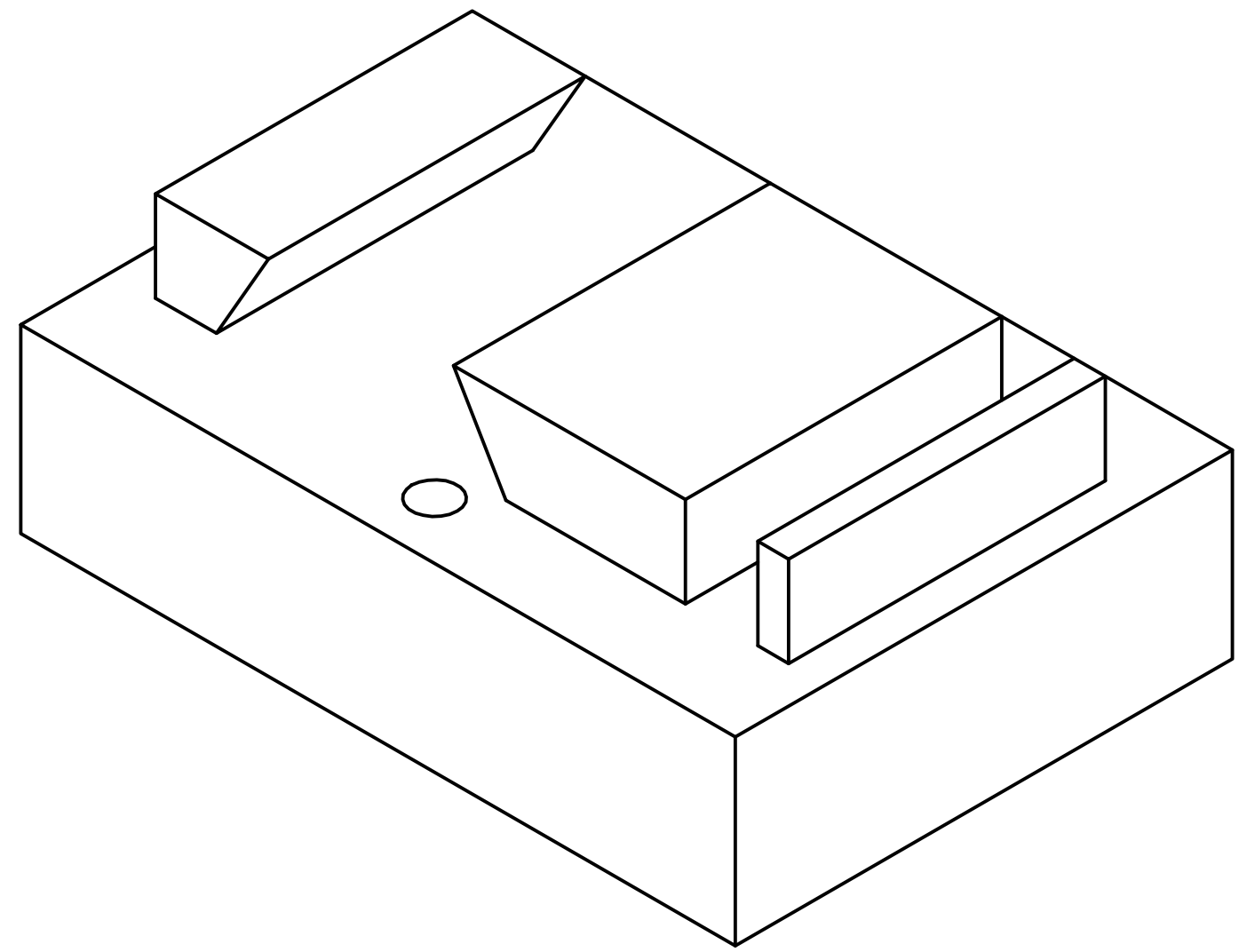
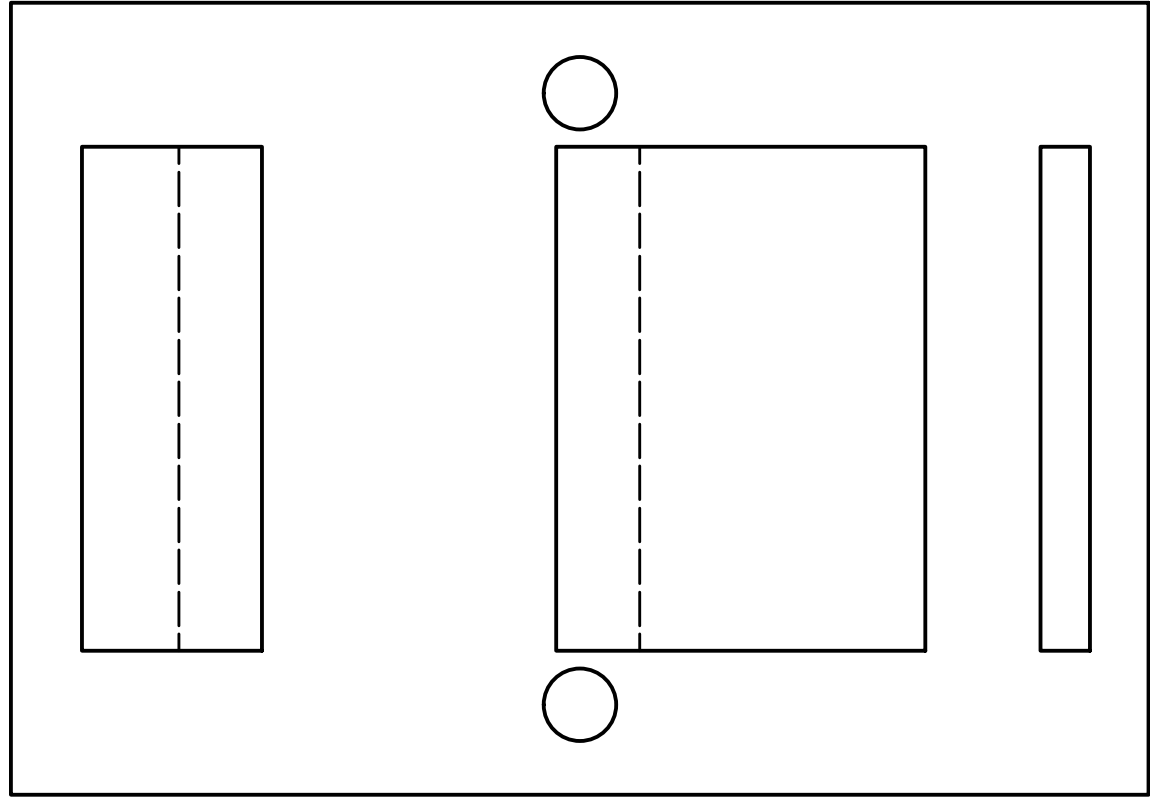
unless otherwise specified  
dimensions in inches

Angles +/-0.5°  
2 PL +/-0.01"  
3 PL +/-0.005"

DRAWN zchai	2021-03-31	TITLE		
CHECKED		Skills 2021 Lathe 2		
QA				
MFG				
APPROVED				
		SIZE C	DWG NO lathe part #2 no dimensions	REV
		SCALE 2 : 1	SHEET 3 OF 3	

**NOTES:**

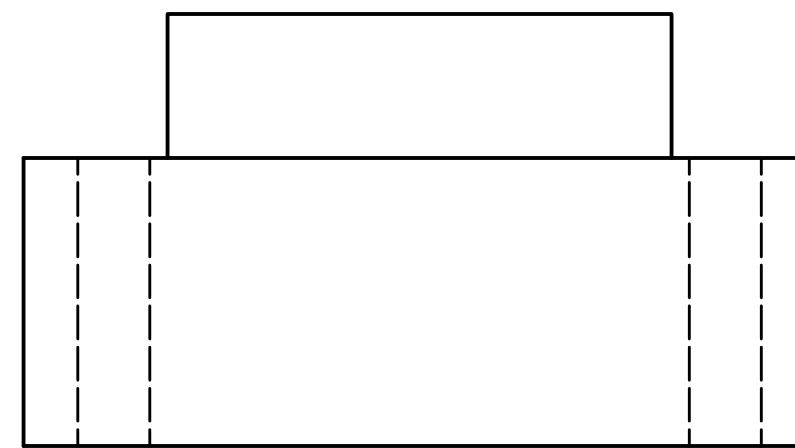
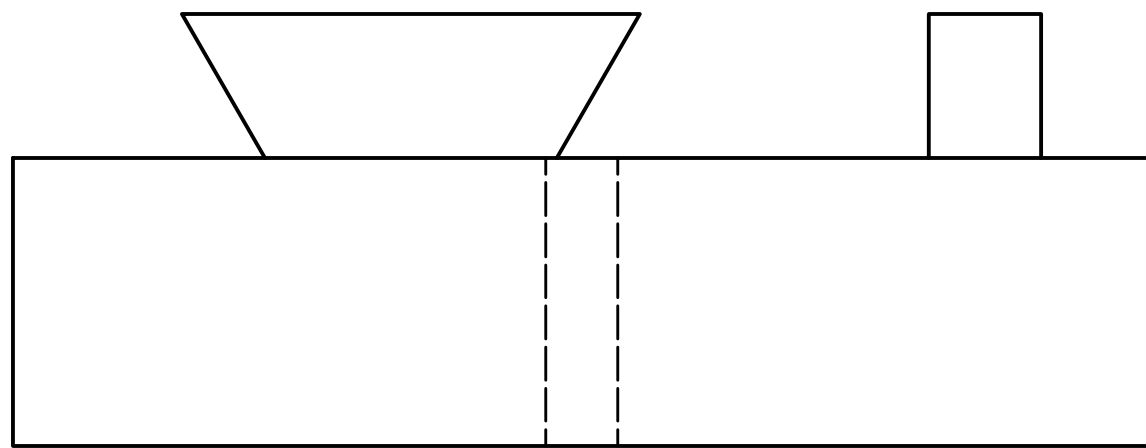
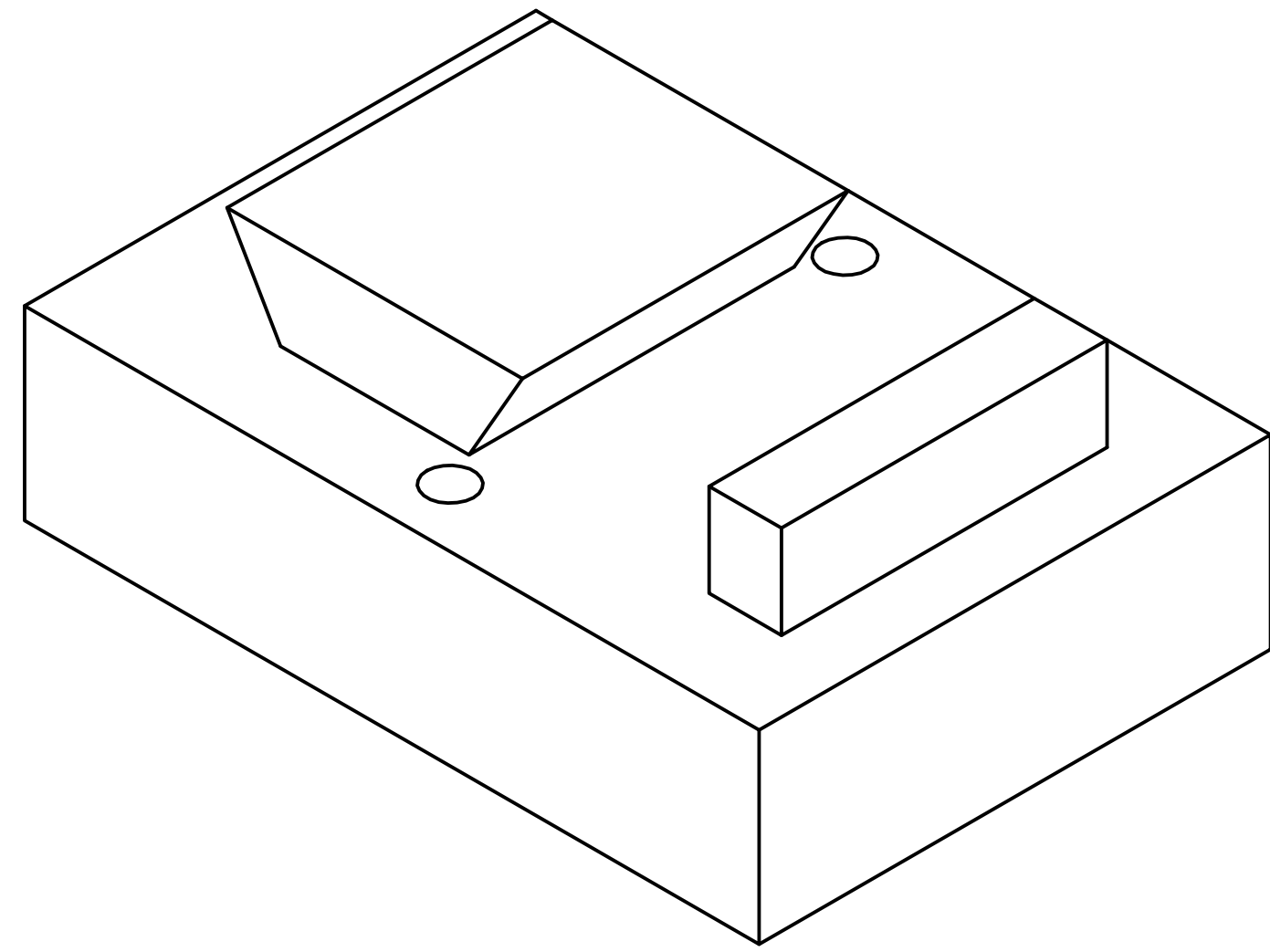
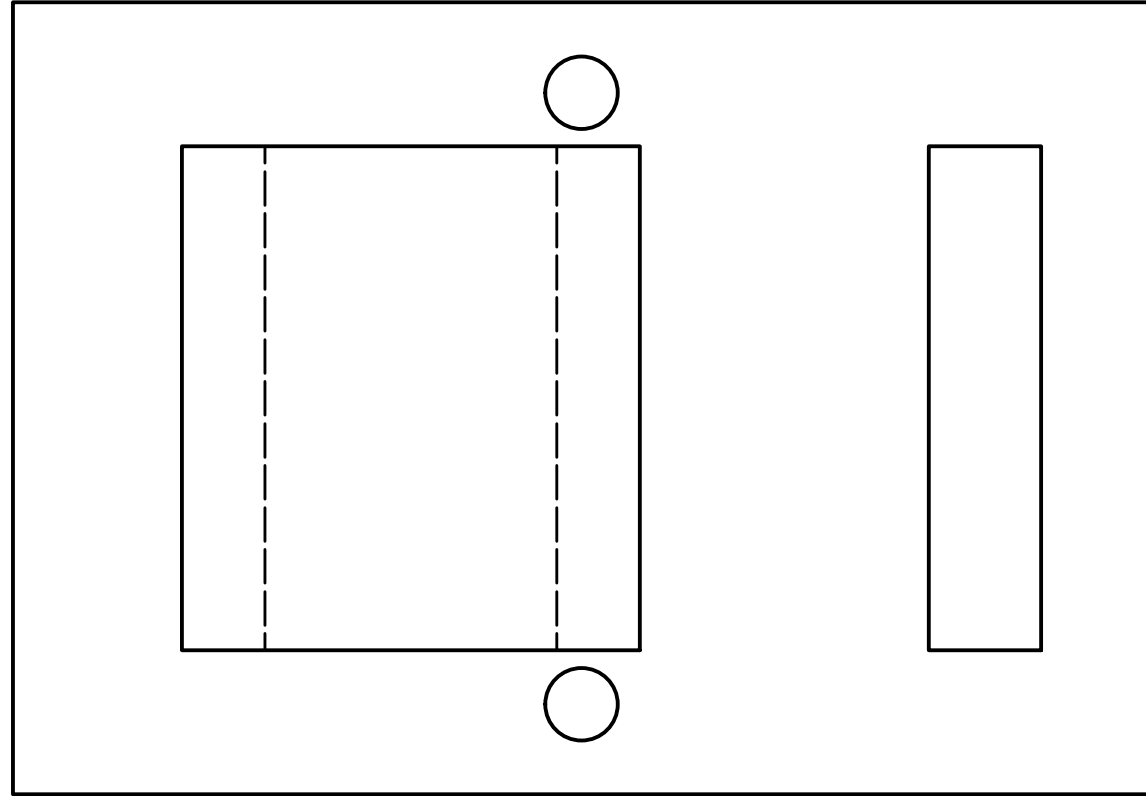
- 1. Material 6061-T6 Aluminum
- 2. Remove all sharp edges



DRAWN zchai	2021-03-31	TITLE <b>Skills 2021 Mill Block 1</b>		
CHECKED				
QA				
MFG				
APPROVED		SIZE <b>C</b>	DWG NO <b>mill part #1 no dimensions</b>	REV
		SCALE <b>1.5:1</b>	SHEET 3 OF 3	

**NOTES:**

1. Material 6061-T6 Aluminum
2. Remove all sharp edges



unless otherwise specified  
dimensions in inches

Angles +/-0.5°

2 PL +/-0.01"

3 PL +/-0.005"

DRAWN zchai		2021-03-31		TITLE	
CHECKED				Skills 2021 Mill Block 2	
QA					
MFG					
APPROVED				SIZE	DWG NO
				C	mill part #2 no dimensions
				SCALE	REV
				1.5:1	SHEET 3 OF 3