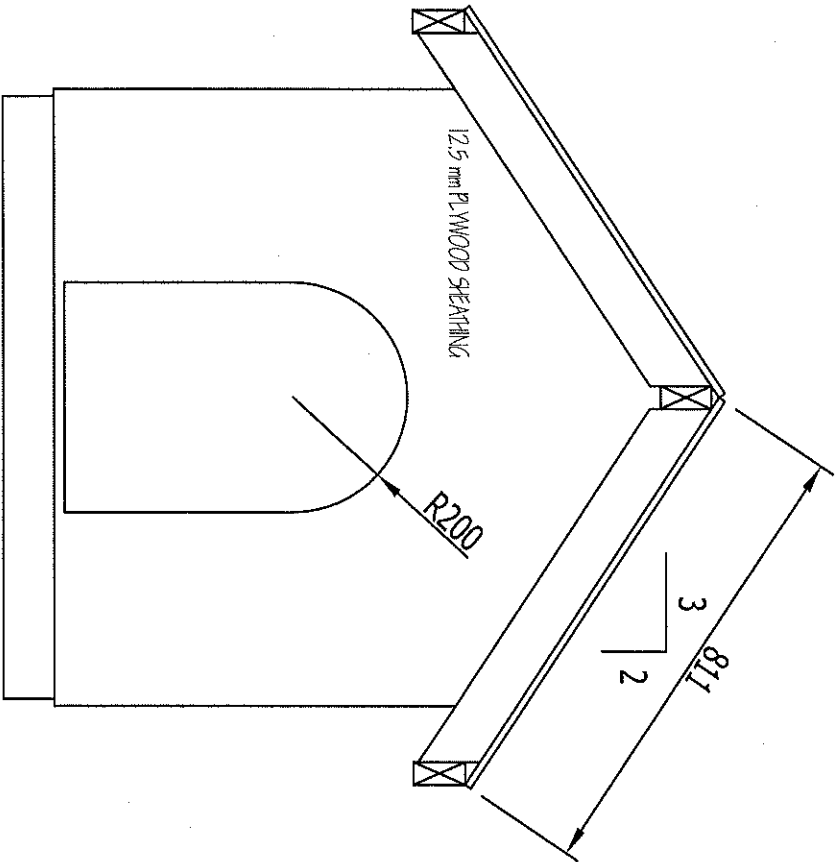
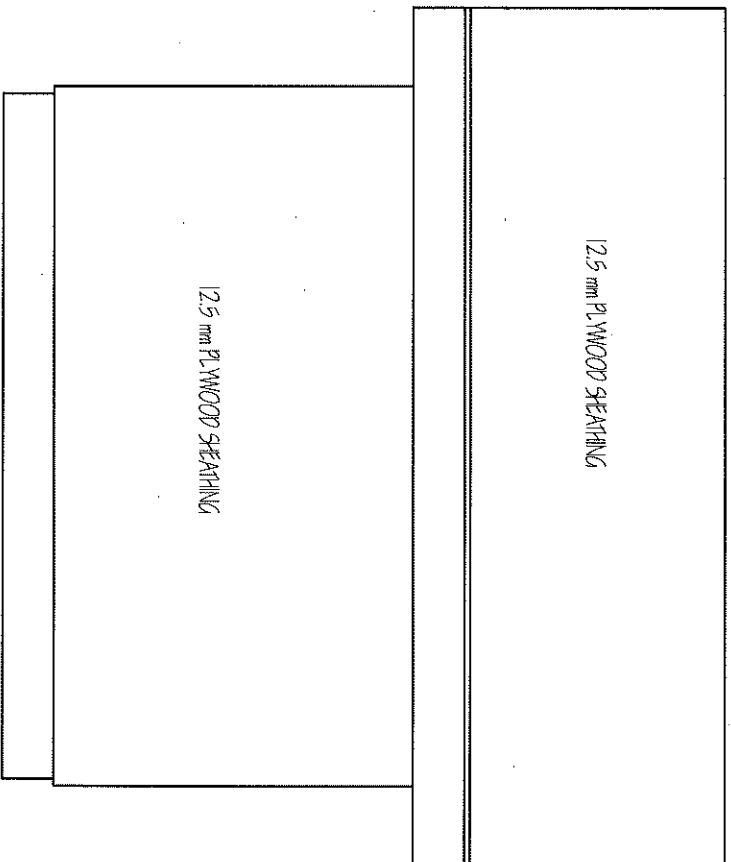


**NOTE: - All Framing Material to be 38mm x 89mm
- All Measurements are in Millimetres (mm)**

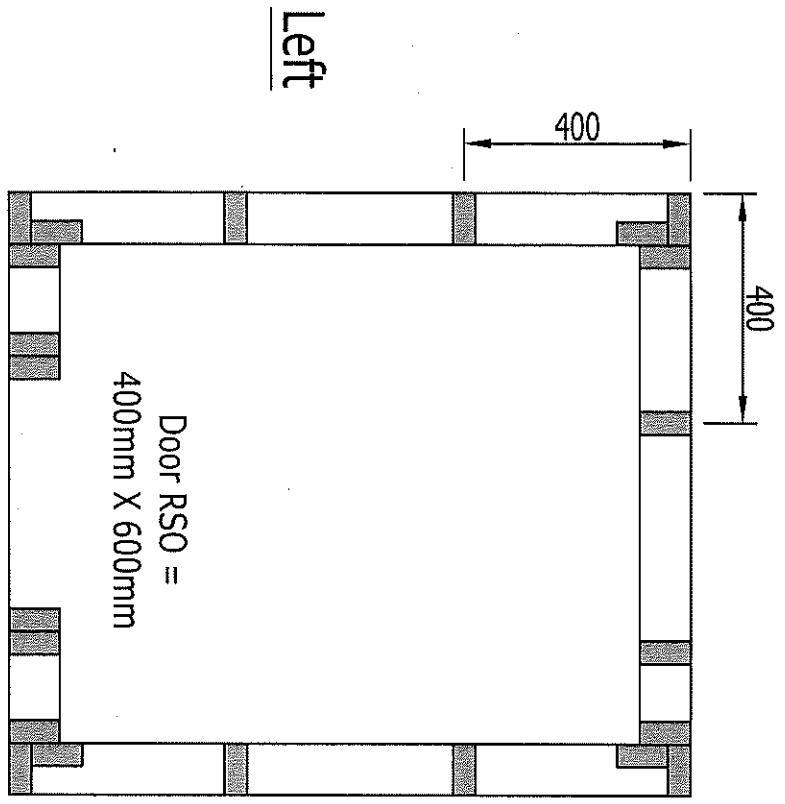


Front View

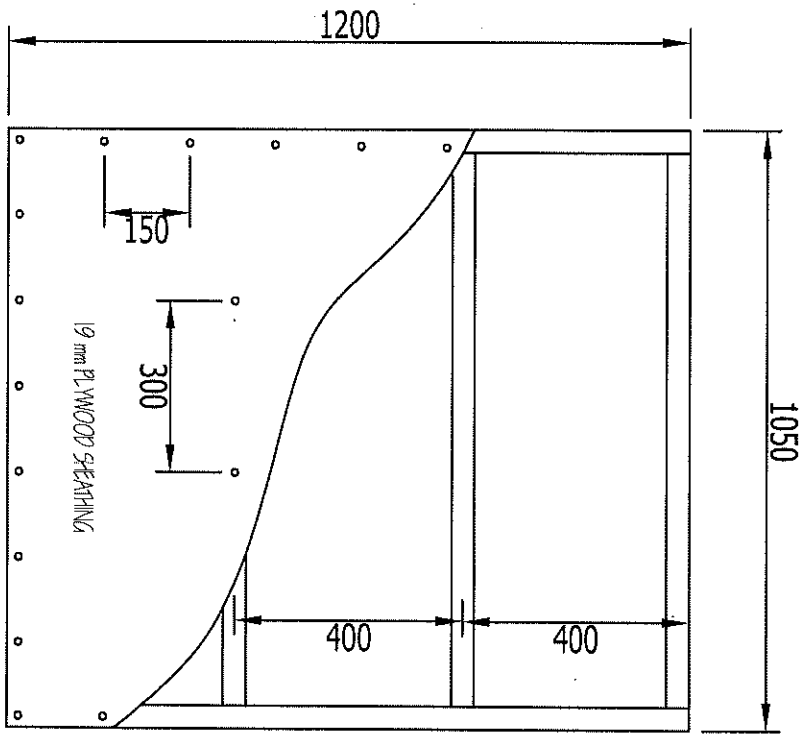


Left View

**NOTE: - All Framing Material to be 38mm x 89mm
- All Measurements are in Millimetres (mm)**

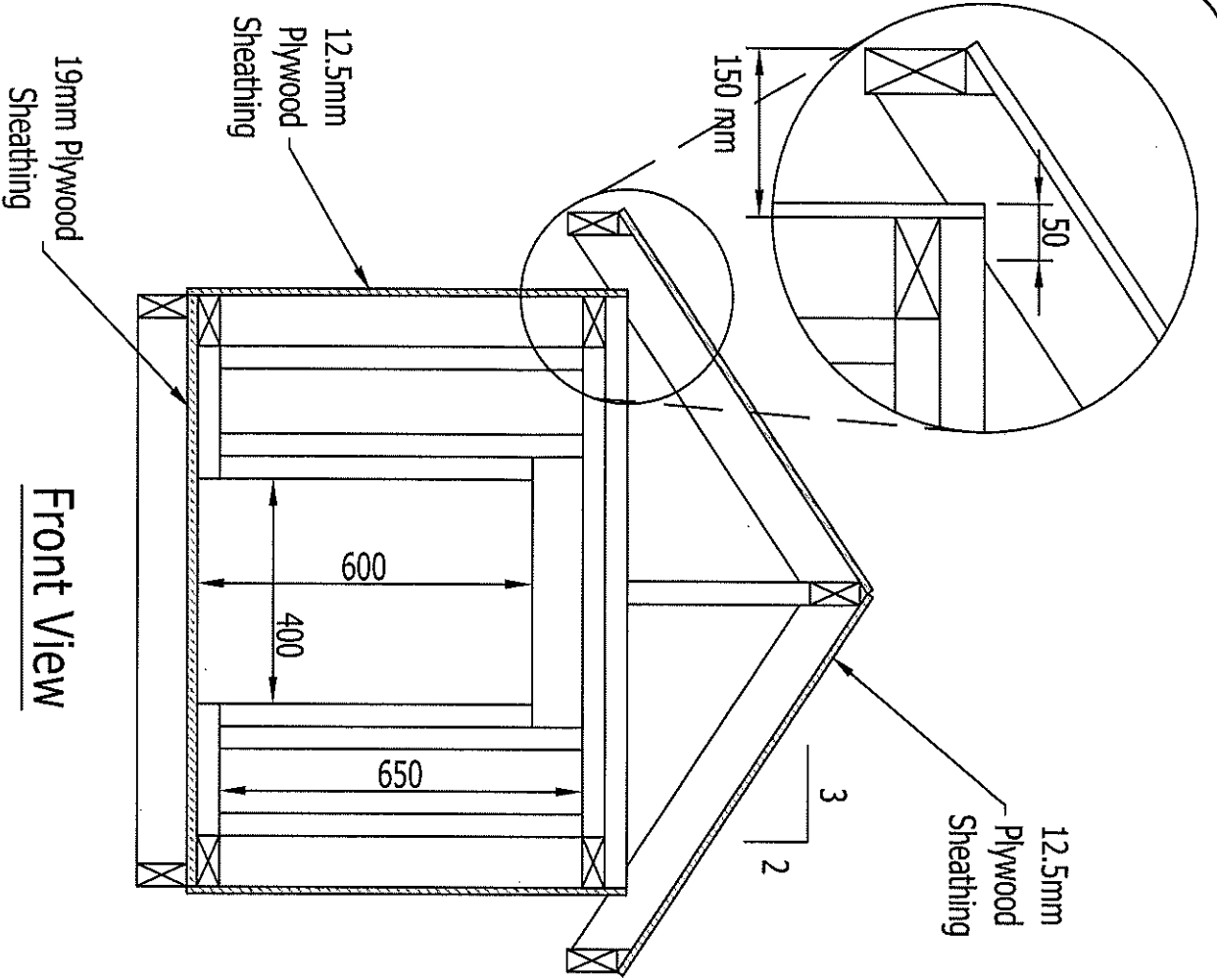


Front

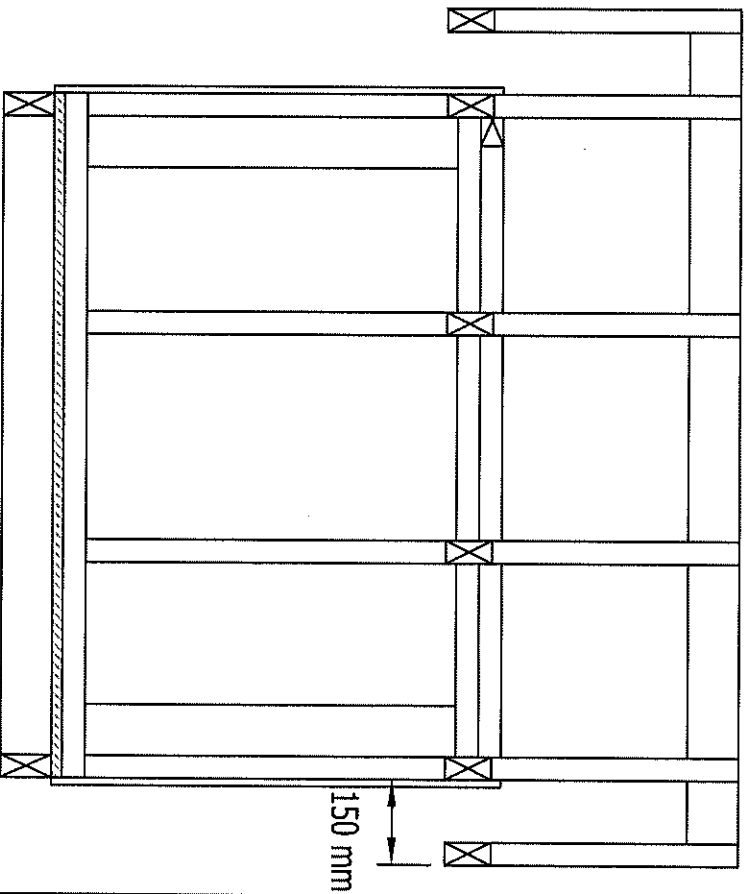


Left

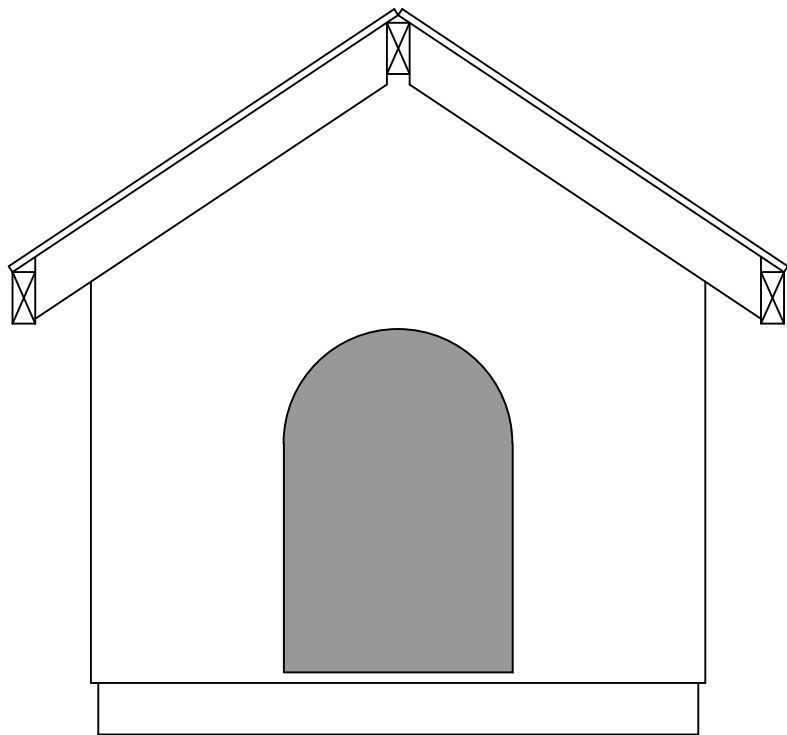
**NOTE: - All Framing Material to be 38mm x 89mm
- All Measurements are in Millimetres (mm)**



Front View



Left View



Skills Competition 2020