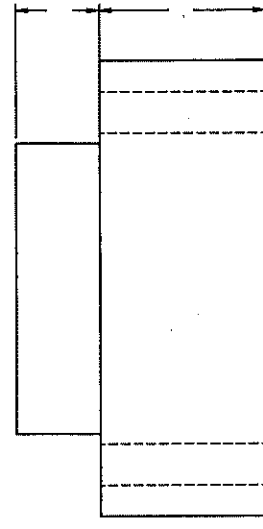
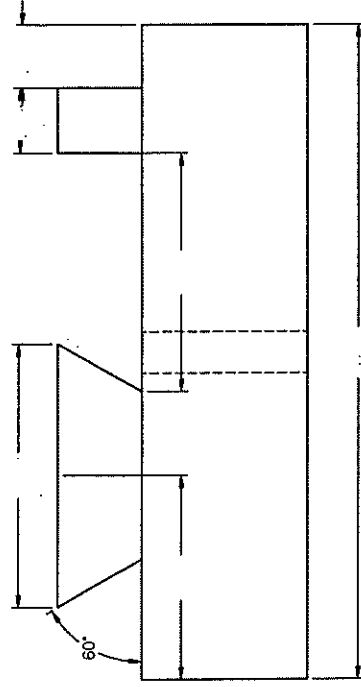
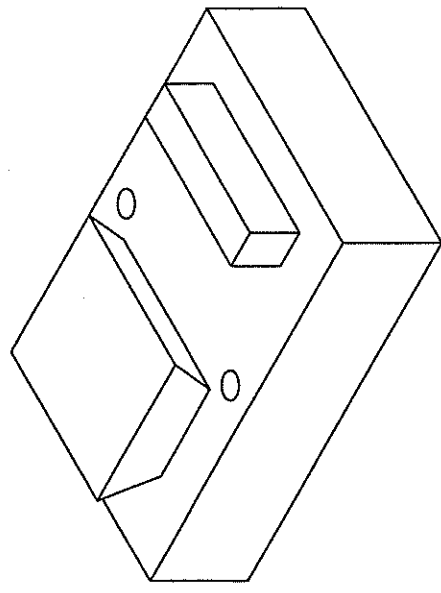
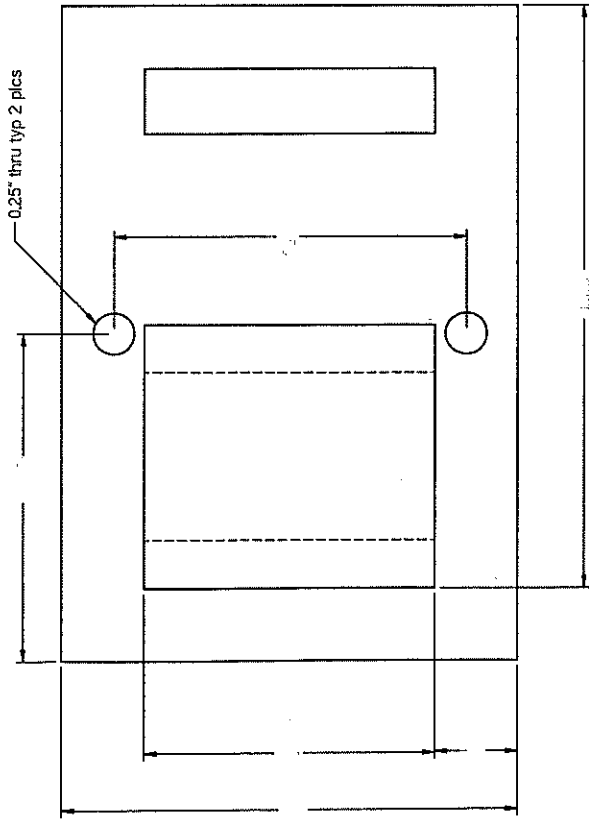


REV	DESCRIPTION	DATE	APPROVED

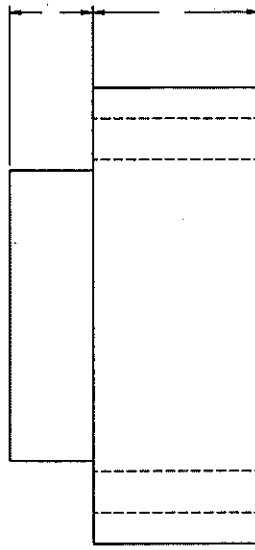
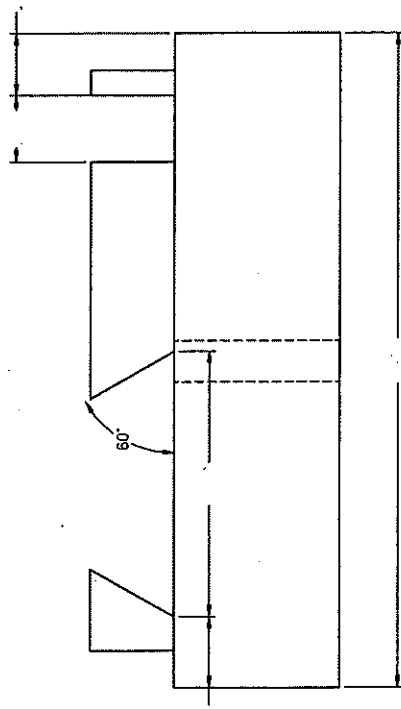
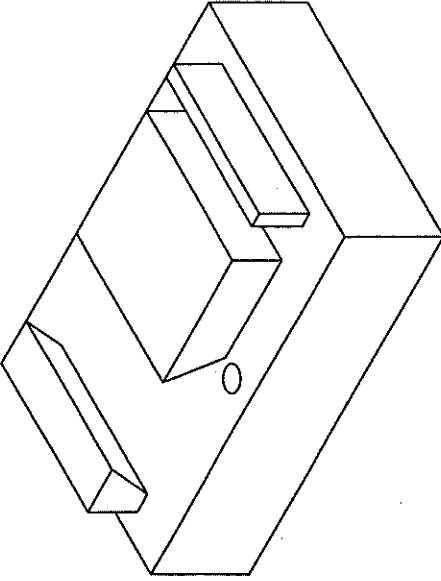
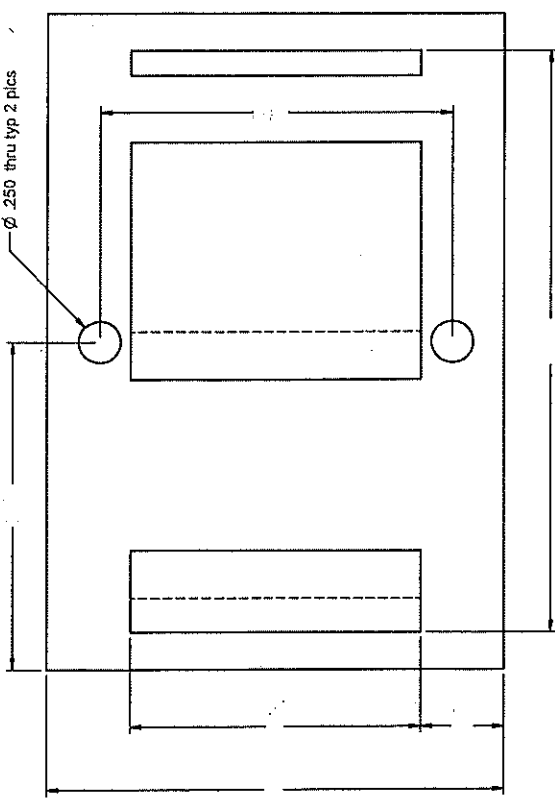


Notes:  
 Material 6061-T6 Aluminum  
 Remove all sharp edges

DRAWN		NAME	DATE
CHECKED		BY/DATE	BY/DATE
ENG APPR		TITLE	
MGT APPR		SCALE	
UNLESS OTHERWISE SPECIFIED DIMENSIONS ARE IN INCHES		UNIT	IN
See marking sheet for tolerances		SCALE	AS SHOWN
		SHEET	OF 1

Skills 2020 Mill 2

REV	DESCRIPTION	DATE	APPROVED

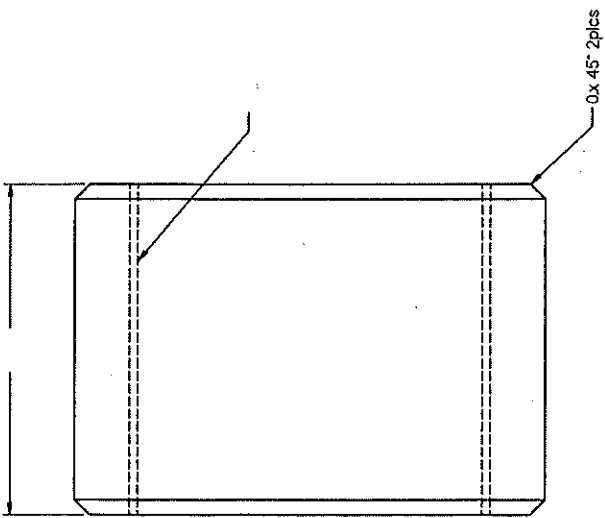
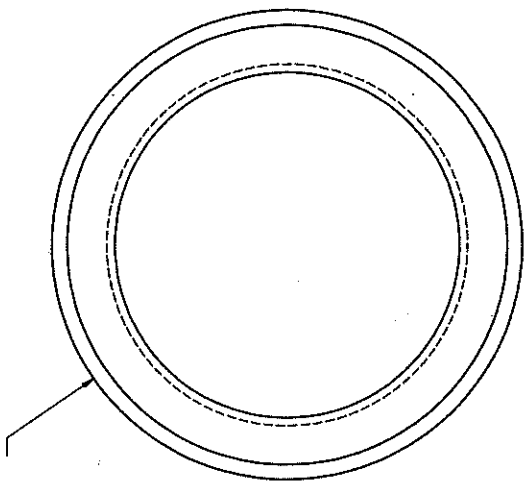
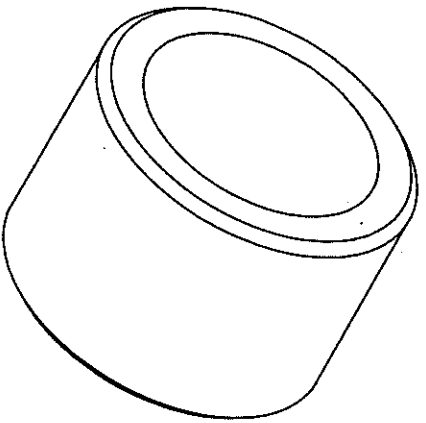


Notes:  
 Material 6061-T6 Aluminum  
 Remove all sharp edges

DRAWN		NAME	DATE	Skills 2020 Mill	
CHECKED		Andrew	07/15/14	TITLE	
ENG APPR				SCALE	
MFG APPR				MATERIAL	
UNLESS OTHERWISE SPECIFIED				DIMENSIONS ARE IN INCHES	
DIMENSIONS ARE IN INCHES				TOLERANCES	
SEE FIGURE				SCALE	
REV				MATERIAL	

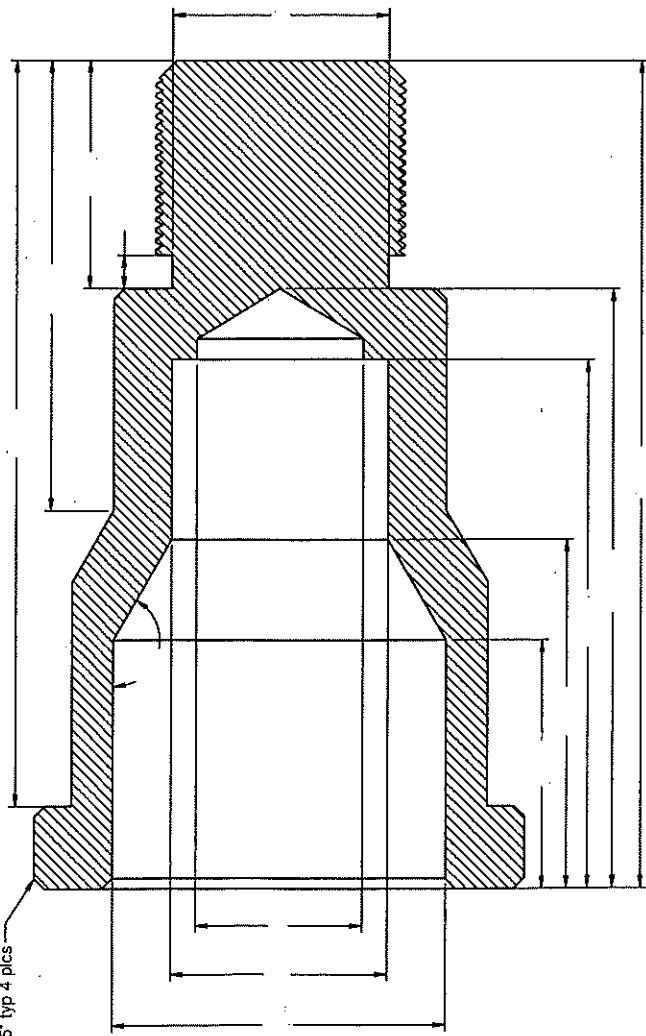
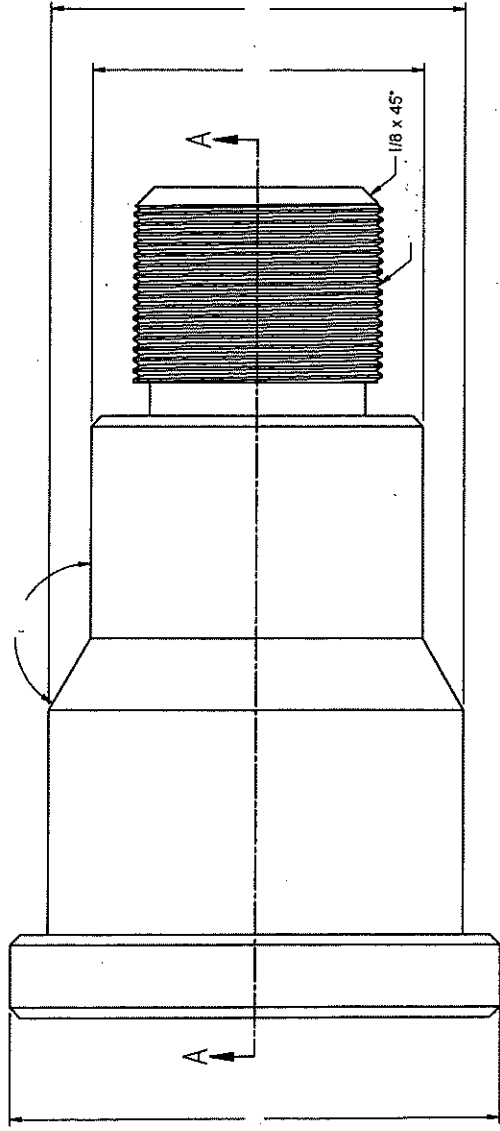
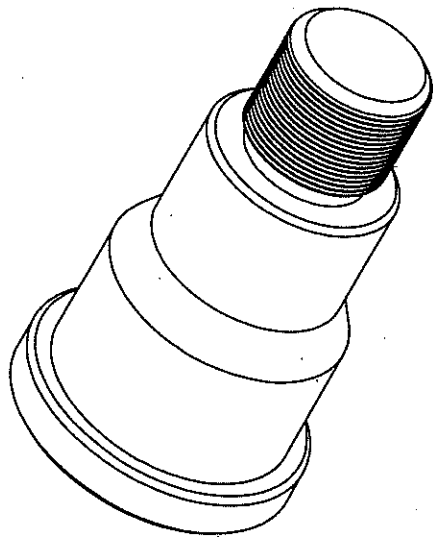
See marking sheet for tolerances

REV	DESCRIPTION	DATE	APPROVED
-----	-------------	------	----------



NAME	DATE	TITLE
ADRAW	02/26/15	Skills 2020 Lathe Nut
CHECKED		
ENG APPR		
LOG APPR		
UNLESS OTHERWISE SPECIFIED DIMENSIONS ARE IN INCHES	SCALE	NSF
See marking sheet for REFERENCES	SCALE	NSF
	SCALE	SHEET 1 OF 1

REV	DESCRIPTION	DATE	APPROVED



SECTION A-A

NAME	DATE	TITLE

Skills Lathe 2020

DESIGNED	CHECKED	ENG. APPR.	MGR. APPR.	DATE	SCALE	SHEET	OF

UNLESS OTHERWISE SPECIFIED, DIMENSIONS ARE IN INCHES

See marking sheet for tolerances