

NOTE:

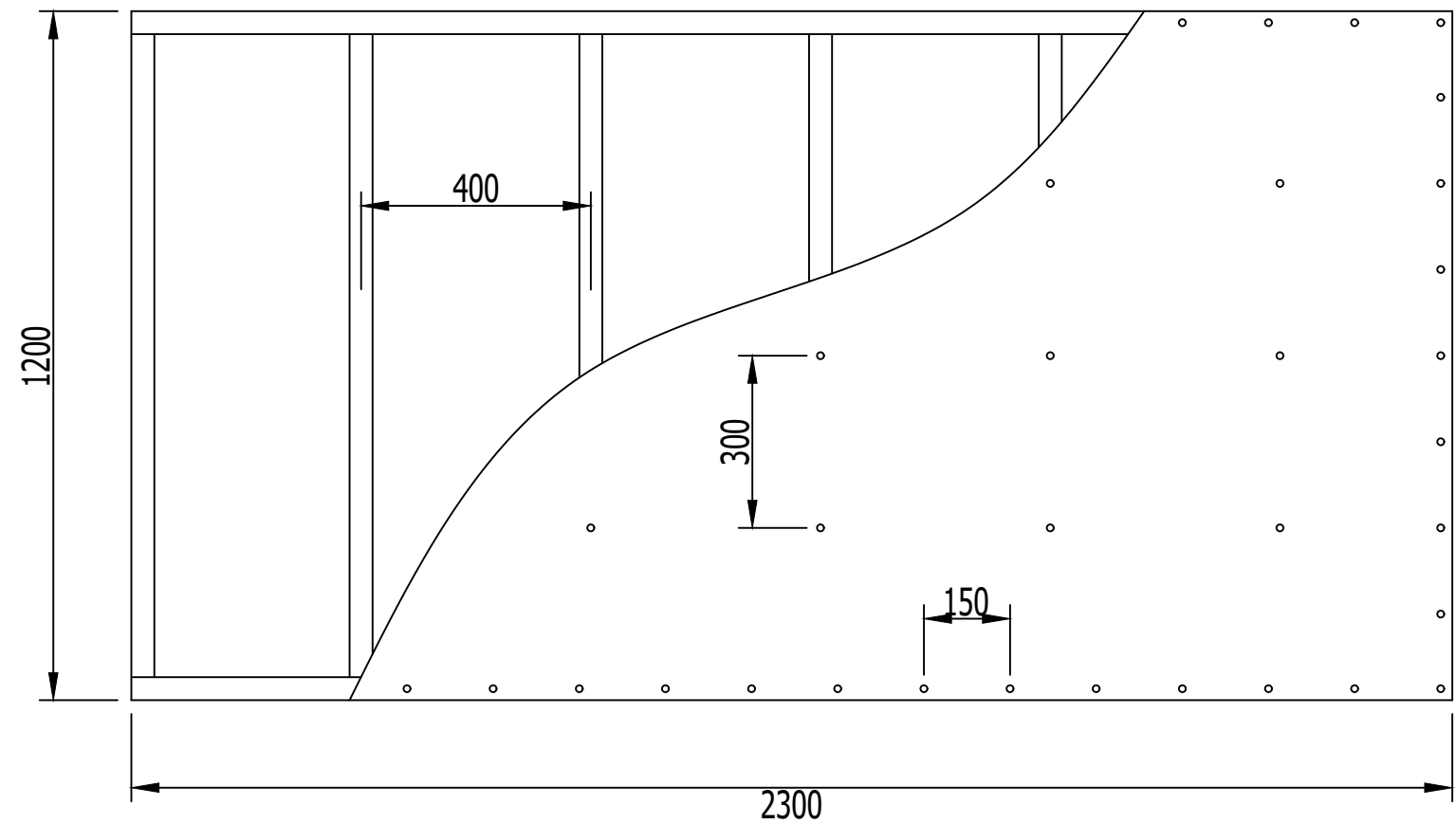
Floor Joist - 38 x 140

Joists Spaced @ 400mm OC

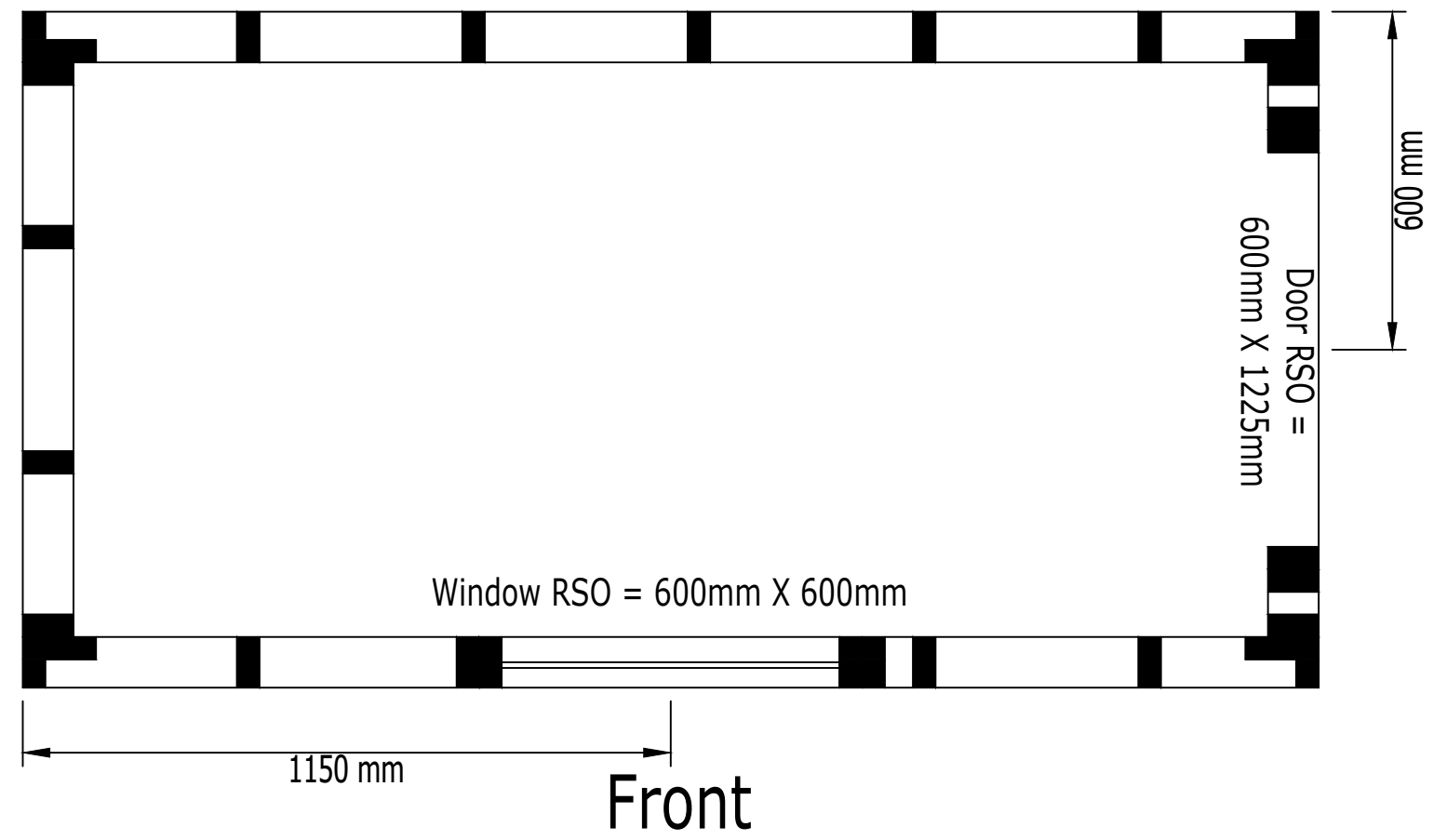
Floor Sheathing - 15.5 mm Spruce

Sheathing nailed - Center 300mm OC

Edges 150mm OC



Left



NOTE:

Wall Studs - 38 x 89

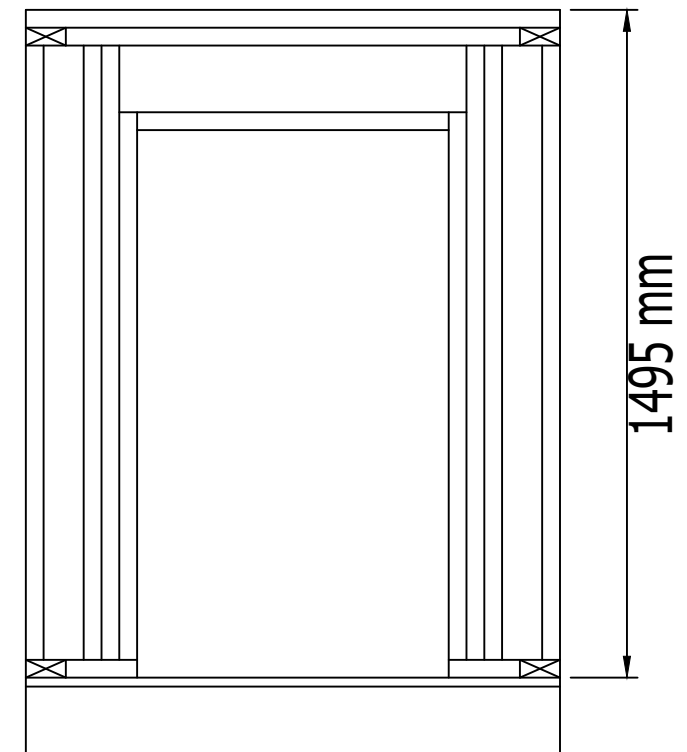
Stud Spaced @ 400mm OC

Lintel - 38 x 140

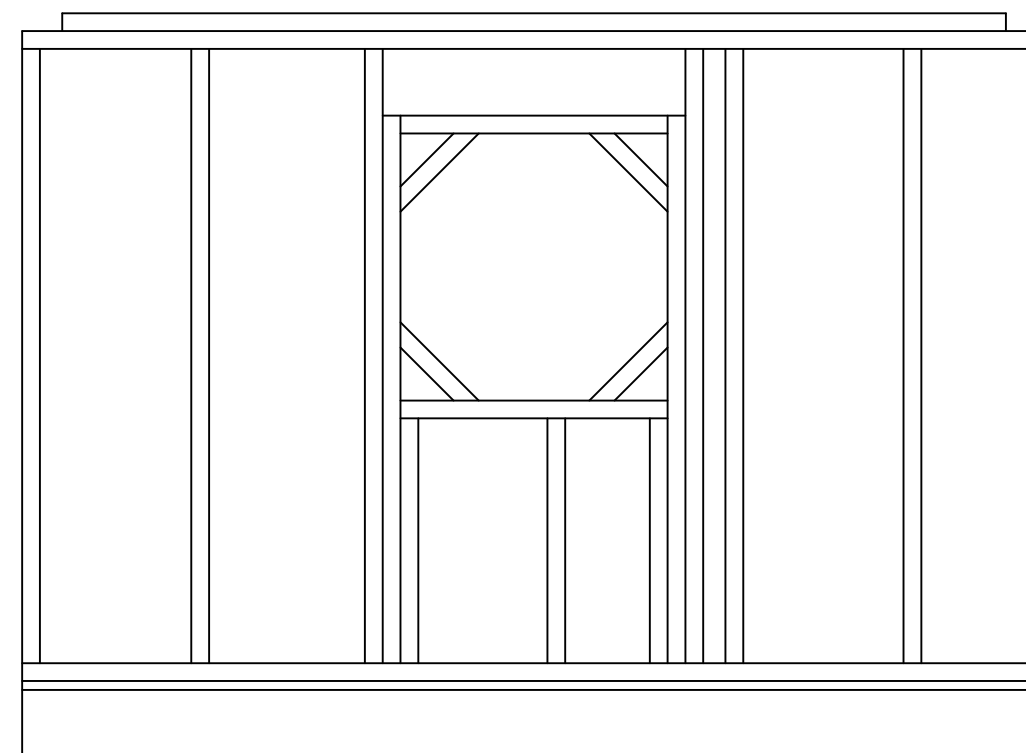
Door RSO - 600mm x 1240mm

Window RSO - 600mm x 600mm

All sides of the Octagon are equal



Right



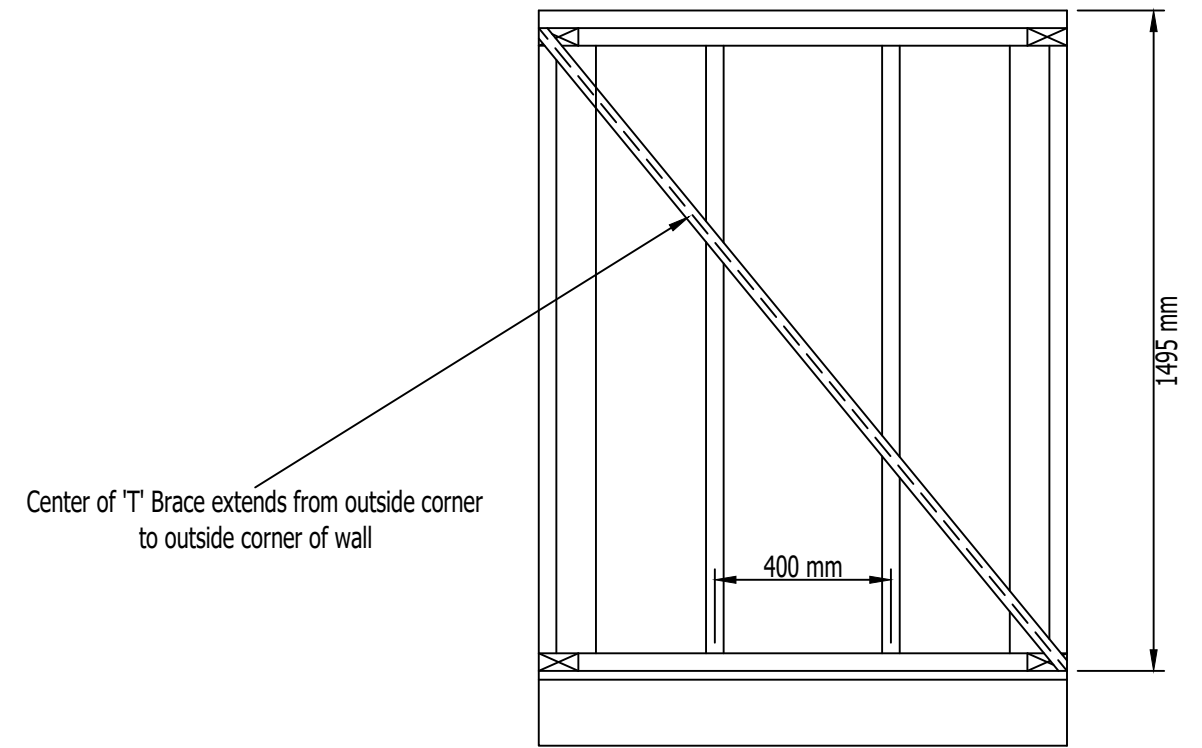
Front

NOTE:

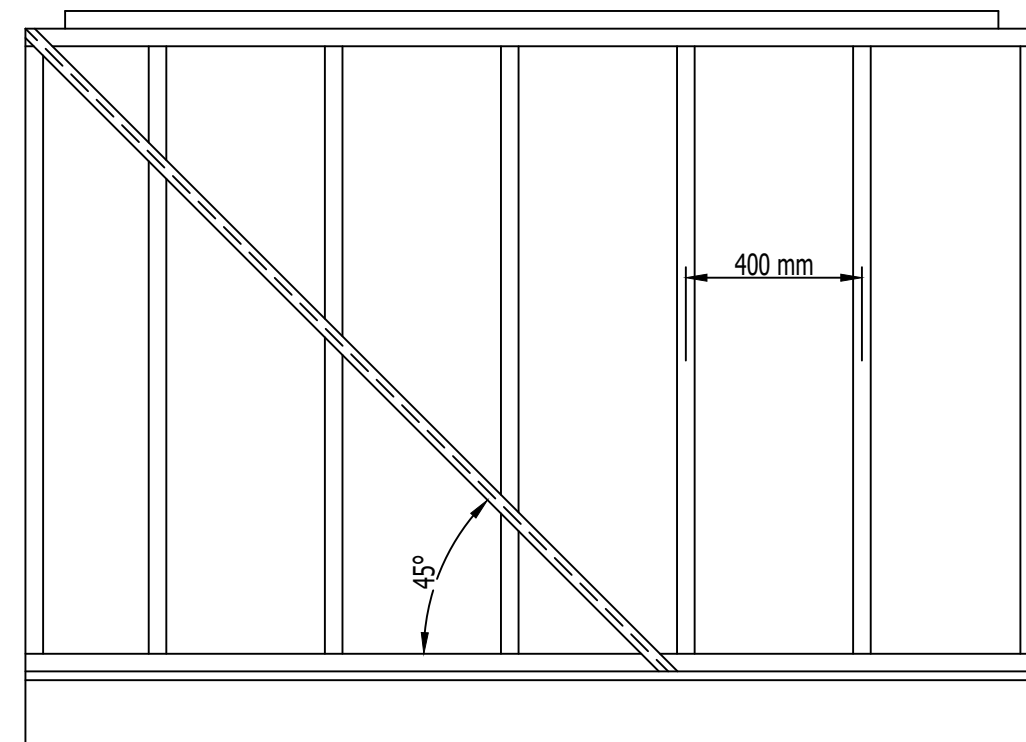
Wall Studs - 38 x 89

Stud Spaced @ 400mm OC

Lintel - 38 x 140



Left



Back

NOTE:

Slope 4:6

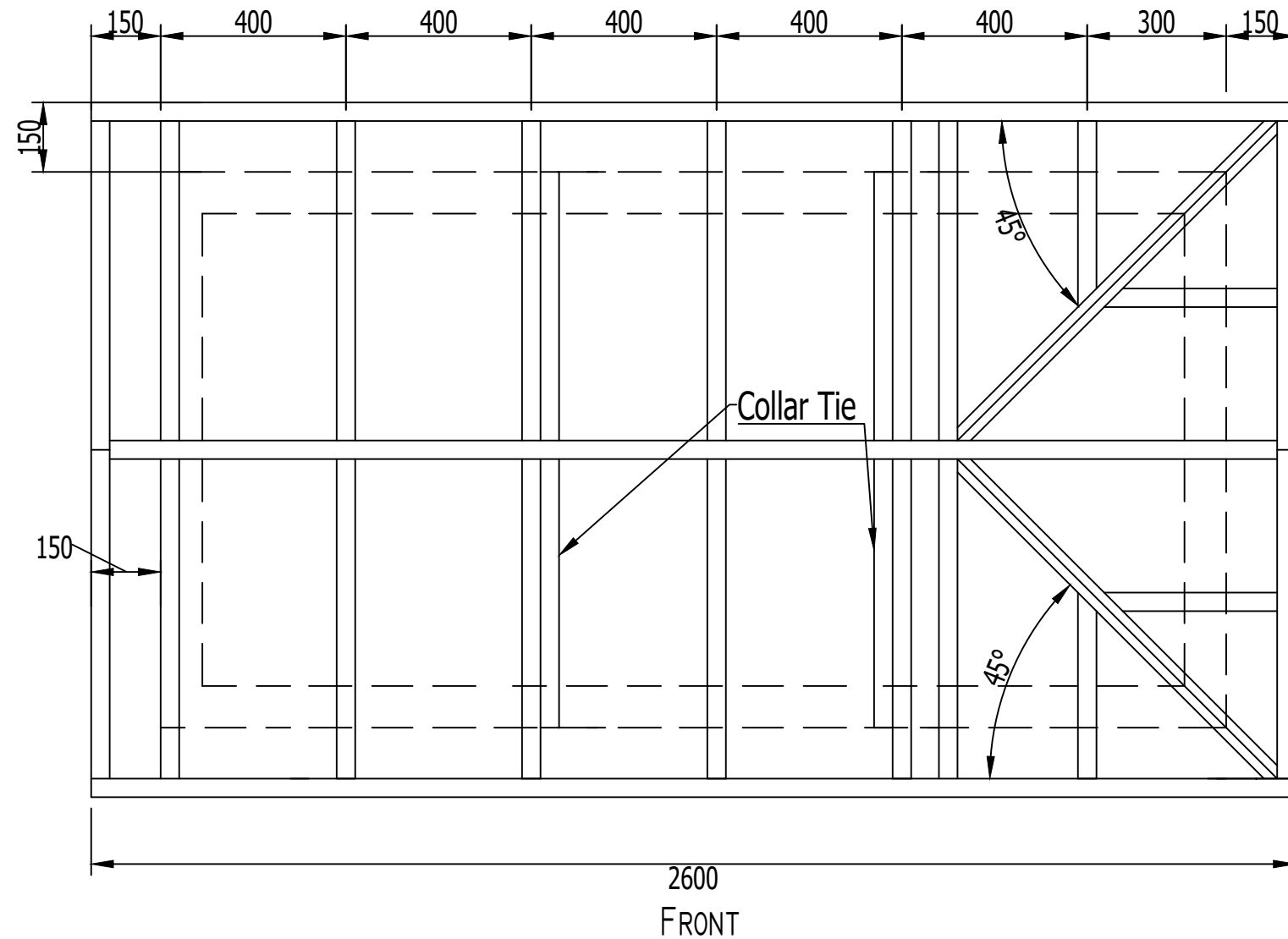
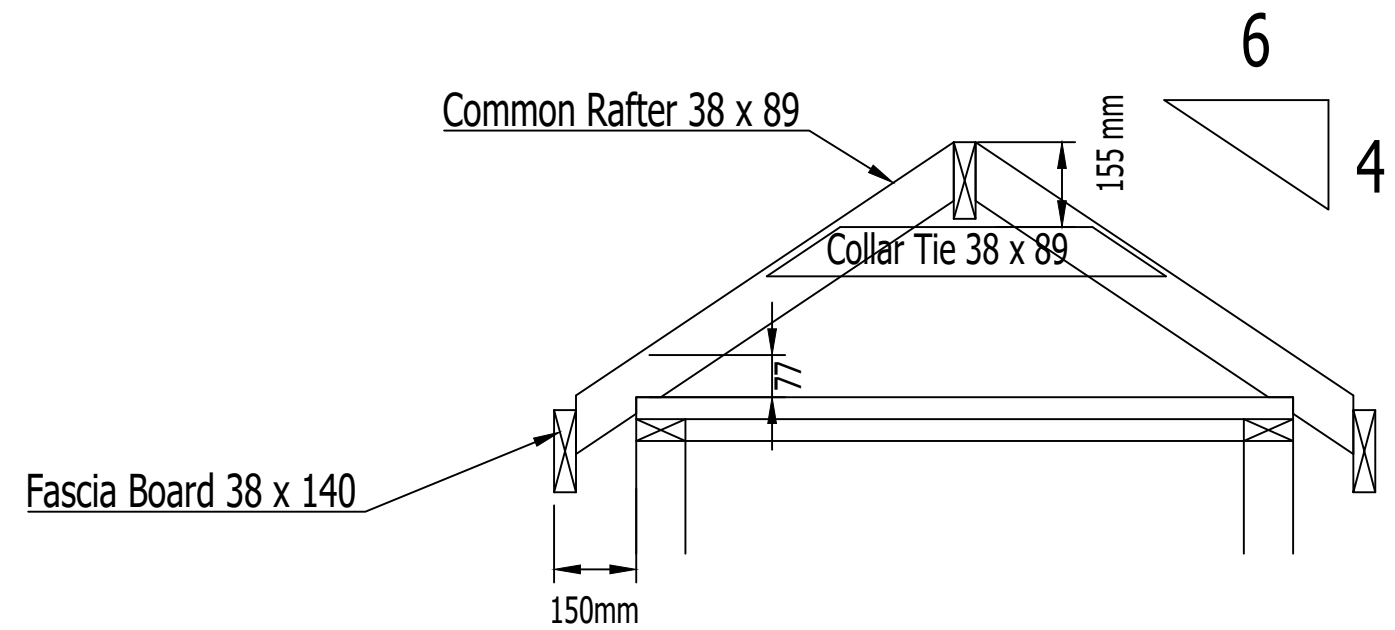
Rafter Spacing - 400mm OC

Projection - 150mm

HAP - 77 mm

Ridge Board 38 x 140

Common Rafters - 38 x 89



NOTE:

Total Height = 950 mm

Tread = 25 mm x 270 mm

Nosing = 25 mm

Riser Board = 19 mm x
184 mm

Stringer (carriage) =
38mm x 235 mm

Cut one Stringer Only

